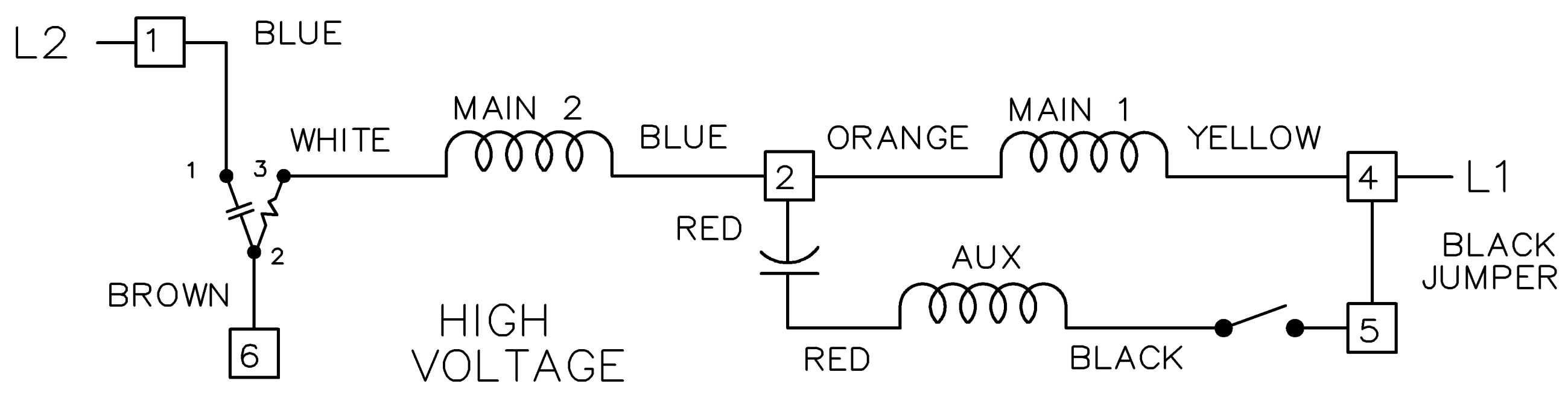


DUAL VOLTAGE CAPACITOR START REVERSIBLE ON TERM BOARD WITH OVERLOAD PROTECTION

VIEWING SHAFT END

LOW VOLTAGE CW ROTATION SHOWN.



FOR HIGH VOLTAGE CONNECT BROWN TERM 2 TO TERM 6. CONNECT BLUE TERM 4 TO TERM 2.

TO REVERSE ROTATION EITHER VOLTAGE INTERCHANGE RED LEAD WITH BLACK LEAD.

				TOLERANCES UNLESS SPECIFIED		Dayton Electric Mfg. Co. 5959 West Howard St. Niles, IL 60714 USA	DRAWN NJS 01-25-2005			
				DEC.	INCHES		CHK ML 01-26-2005			
				.X	± -		APPD GK 01-26-2005			
				.XX	± -		SCALE 1=1			
				.XXX	± -		REF EE9002M			
1	REVISED TO READ CW ROTATION SHOWN	NJS 02-03-2005	ML	.XXXX	± -	TITLE CONNECTION DIAGRAM 48 FR. DUAL VOLTAGE REVERSIBLE	FMF			
NO.	REVISION	BY & DATE	CHK	ANG	± -	MAT'L.	PREV			
THIS DRAWING IN DESIGN AND DETAIL IS OUR PROPERTY AND MUST NOT BE USED EXCEPT IN CONNECTION WITH OUR WORK ALL RIGHTS OF DESIGN AND INVENTION ARE RESERVED THIS IS AN ELECTRONICALLY GENERATED DOCUMENT - DO NOT SCALE THIS PRINT				RFP	01-26-2005	CAD FILE 4YU35_WD	SIZE A	DRAWING NO. 4YU35-WD	PAGE OF	REV. 1
				DIST	WP					