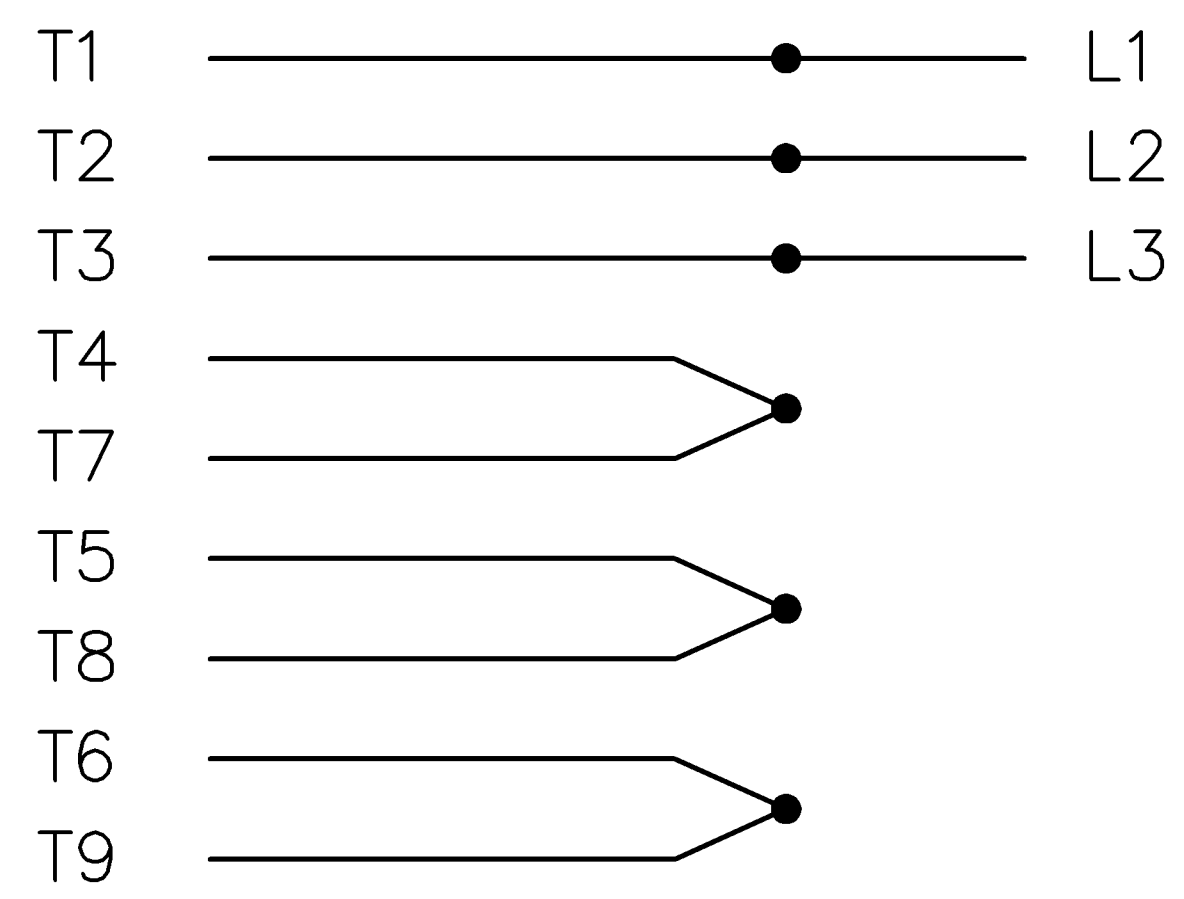
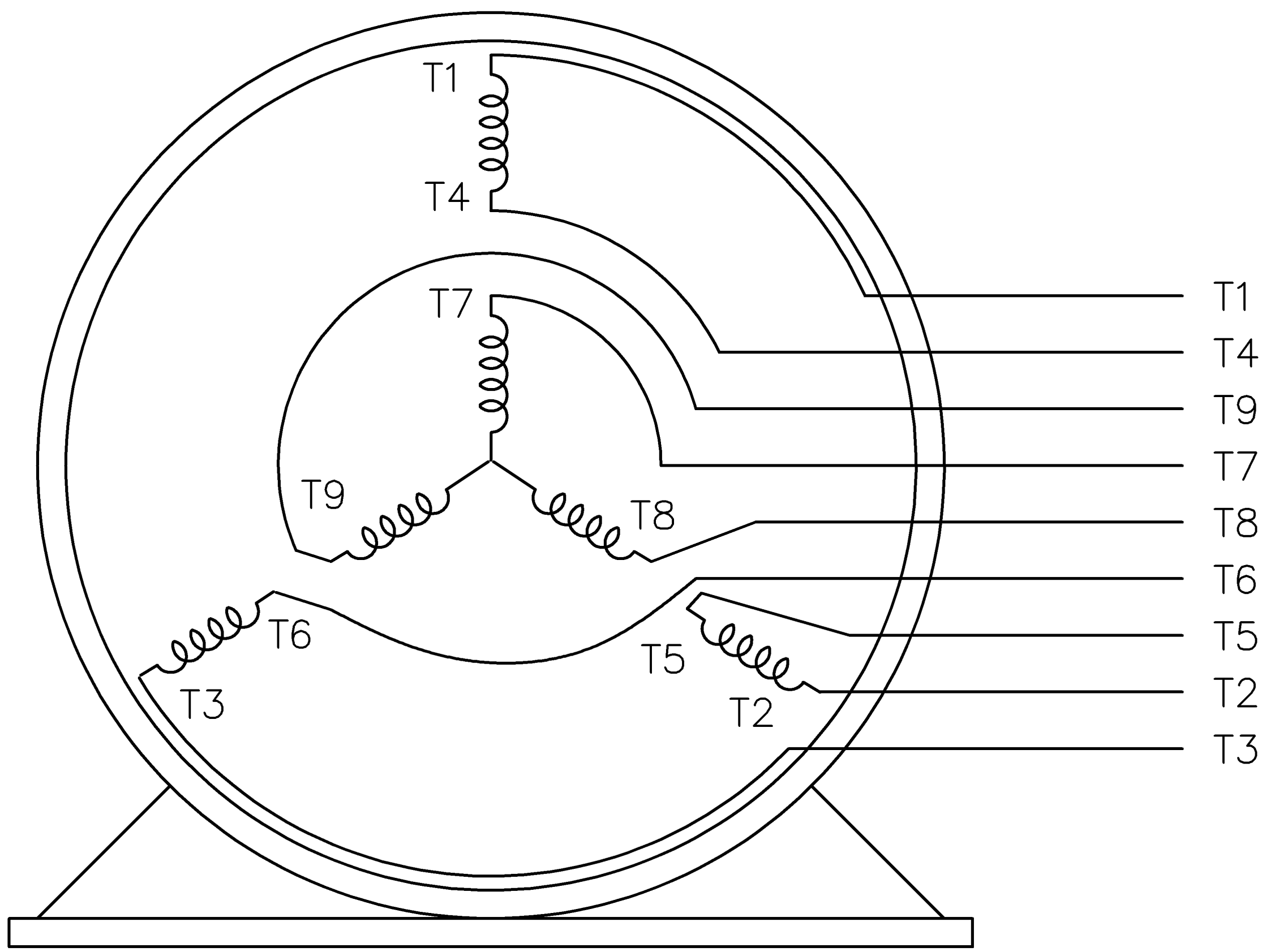
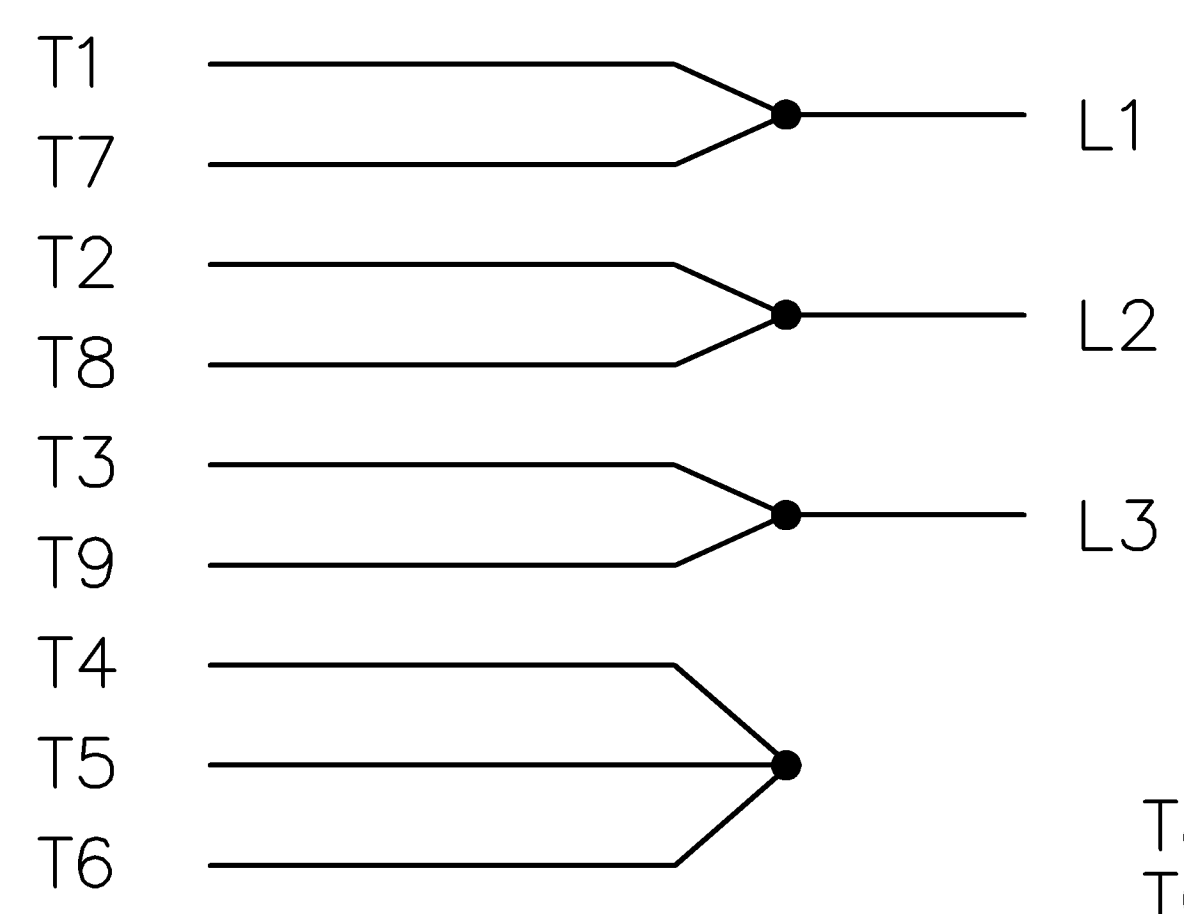


THREE PHASE  
DUAL VOLTAGE MOTOR

HIGH VOLTAGE




LOW VOLTAGE



REF.  
WINDING DIAGRAM

T8Y, T2Y, T2BL, T4BX, T2EC, T2G  
T6BZ, T2B, T6BL, T4AV, T6B, T4B

				TOLERANCES UNLESS SPECIFIED		 <b>Dayton Electric Mfg. Co.</b> 5959 West Howard St. Niles, IL 60714 USA	DRAWN NJS 01-25-2005			
				DEC.	INCHES		CHK ML 01-26-2005			
				.X	± -		APPD GK 01-26-2005			
				.XX	± -		SCALE 1=1			
				.XXX	± -		REF EE7308			
1	REVISED, REMOVED OPTIONAL CORD CONNECTION	NJS 02-03-2005	ML	.XXXX	± -	MAT'L.	FMF			
NO.	REVISION	BY & DATE	CHK	ANG	± -	FINISH	PREV			
THIS DRAWING IN DESIGN AND DETAIL IS OUR PROPERTY AND MUST NOT BE USED EXCEPT IN CONNECTION WITH OUR WORK ALL RIGHTS OF DESIGN AND INVENTION ARE RESERVED THIS IS AN ELECTRONICALLY GENERATED DOCUMENT - DO NOT SCALE THIS PRINT				RFP	01-26-2005	CAD FILE 4YU38_WD	SIZE A	DRAWING NO. 4YU38-WD	PAGE OF 1	REV. 1
				DIST	WP					