

Please read and save these instructions for the product described. Protect yourself and others by observing safety instructions. Failure to follow instructions may result in injury and/or property damage! Retain instructions for future reference.

NOTE: Some models on this manual have been discontinued. An updated version may be available with new models.

to maintain the safety of your product. Consult the manual for personal safety instructions.

Dayton® Centrifugal Belt-Drive Downblast Exhaust Ventilators

Description

Dayton ventilators are designed for continuous operation to exhaust general clean, foul air and odors. Typically used for average length and/or average resistance duct work. When used with explosion proof motor, ventilator sizes 11" to 30½" may be use in potentially hazardous locations. Ventilators can handle temperatures up to 180°F. Weather resistant ventilators feature housings constructed of heavy gauge aluminum with a rigid internal support structure, spun aluminum curb cap, a birdscreen and a steel drive frame. All ventilators are UL/cUL listed Standard 705.

Motors are mounted out of the discharge stream in a positively cooled chamber fed by outside air drawn in under the motor cover.

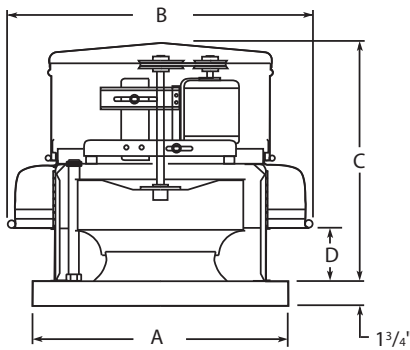


Figure 1 — Dimensions



Optional Accessories

Description	General or UL 705 Model No.
NEMA 1 Dis. Switch:	
	1H400 (2 pole, 2 HP max)
	1H401 (3 pole, 7½ HP max)
Damper:	4HX64-4HX71
12" Fixed Roof Curb:	2RB75-2RB83, 5EFJ2, 5EFJ3
12" Adj. Roof Curb:	2ZV82-2ZV85, 2ZV87
Roof Curb Adapters:	3AZK1-3AZK9, 3AZL1-3AZL3
Hinge Kit:	4HX79, 4YY84-4YY86

WARNING Do not use in any kitchen exhaust application.



Dayton Electric Mfg. Co. certifies that the ventilators shown herein are licensed to bear the AMCA seal. The ratings shown are based on tests and procedures performed in accordance with AMCA Publication 211 and AMCA Publication 311 and comply with the requirements of the AMCA Certified Ratings Program.

Dimensions and Specifications (See Figure 1)

Model Without Drive Package	Model With Drive Package, Assembled	Wheel Dia.	Shaft Dia.	A	B	C	D	Recommended Roof Opening	Recommended Damper Size
4YU92	2RB59, 2RB60, 2RB61	11"	3/4"	19"	24¾"	24¾"	4¾"	14½ x 14½"	12 x 12"
4YU93	2RB62	11"	3/4"	22"	24¾"	24¾"	4¾"	17½ x 17½"	15 x 15"
4YU94	2RB63	13¼"	3/4"	22"	24¾"	24¾"	4¾"	17½ x 17½"	15 x 15"
5EFH7	—	13¼"	3/4"	22"	28¾"	25¾"	4"	17½ x 17½"	15 x 15"
4YU95	2RB64, 3HFL6	14¾"	3/4"	26"	28¾"	25¾"	4"	21½ x 21½"	19 x 19"
4YU96	3HFL7	16¾"	3/4"	26"	28¾"	27¼"	4"	21½ x 21½"	19 x 19"
4YU97	3GY70G, 3GY66G	18½"	3/4"	30"	35½"	34¾"	5½"	25½ x 25½"	23 x 23"
4YU98	3GY71G, 3GY67G	21½"	3/4"	30"	35½"	34¾"	5½"	25½ x 25½"	23 x 23"
5EFH8	—	22½"	1"	34"	42¾"	38¾"	5¾"	29½ x 29½"	27 x 27"
4YU99	3GY68G	24½"	1"	34"	42¾"	38¾"	5¾"	29½ x 29½"	27 x 27"
5EFH9	—	26½"	1"	40"	50"	36"	8¼"	29½ x 29½"	27 x 27"
4YY10	3GY69G, 3HFL8	30½"	1"	42"	50"	36"	8¼"	37½ x 37½"	35 x 35"
5EFJ0	—	33½"	1¼"	46"	58¾"	38½"	8"	41½ x 41½"	39 x 39"
4YY11	3HFL9	36"	1¼"	46"	58¾"	38½"	5"	41½ x 41½"	39 x 39"
5EFJ1	—	42"	1¼"	52"	65¼"	44"	9¾"	41½ x 41½"	39 x 39"
4YY12	—	50"	1¼"	64"	83"	50¾"	14½"	52½ x 52½"	50 x 50"

ENGLISH

ESPAÑOL

FRANÇAIS

Dayton® Centrifugal Belt-Drive Downblast Exhaust Ventilators

Without Drive Package Performance

Model	Wheel Dia.	HP	Fan RPM	Max BHP	Sones @ .250 SP	CFM Air Delivery @ Static Pressure Shown								
						.000"	.125"	.250"	.375"	.500"	.750"	1.000"	1.250"	1.500"
4YU92	11"	1/6	1401	0.14	10.0	1062	991	920	846	767	567	—	—	—
		1/4	1710	0.25	13.2	1296	1238	1180	1122	1062	934	785	—	—
4YU93	11	1/4	1635	0.25	10.4	1386	1326	1269	1215	1162	1020	793	—	—
		1/3	1800	0.33	12.5	1526	1471	1419	1368	1321	1209	1065	793	—
4YU94	13¼"	1/4	1395	0.26	12.3	1692	1625	1557	1484	1404	1214	907	—	—
		1/3	1550	0.36	14.3	1880	1820	1759	1696	1629	1475	1289	974	—
		1/2	1725	0.50	17.0	2093	2038	1984	1928	1871	1743	1600	1426	1180
5EFH7	13¾"	1/4	1315	0.26	12.5	1866	1794	1718	1637	1545	1305	—	—	—
		1/3	1440	0.35	15.1	2044	1978	1911	1838	1759	1571	1299	—	—
		1/2	1685	0.56	16.3	2391	2335	2279	2219	2158	2020	1857	1654	1312
4YU95	14¼"	1/4	1075	0.26	9.4	1994	1882	1771	1647	1490	—	—	—	—
		1/3	1170	0.34	10.8	2170	2067	1966	1859	1734	1356	—	—	—
		1/2	1360	0.53	13.9	2523	2433	2347	2259	2166	1943	1602	—	—
		3/4	1545	0.78	17.4	2866	2787	2710	2634	2556	2384	2177	1890	—
		1	1705	1.05	20	3163	3091	3020	2952	2883	2739	2574	2370	2120
4YU96	16¾"	1/4	865	0.26	9.7	2555	2360	2162	1933	1624	—	—	—	—
		1/3	945	0.34	11.5	2791	2612	2434	2236	2010	—	—	—	—
		1/2	1100	0.53	14.1	3249	3095	2943	2787	2615	2198	—	—	—
		3/4	1250	0.79	17.0	3692	3557	3422	3289	3149	2838	2444	—	—
		1	1375	1.05	19.6	4062	3938	3815	3694	3571	3304	3007	2609	2073
4YU97	18½"	1/4	730	0.26	7.2	2839	2668	2469	2213	1822	—	—	—	—
		1/3	810	0.35	8.7	3150	2997	2832	2624	2375	—	—	—	—
		1/2	940	0.54	12.0	3655	3527	3388	3234	3052	2601	—	—	—
		3/4	1055	0.77	14.9	4102	3990	3867	3742	3596	3252	2811	—	—
		1	1185	1.10	17.8	4608	4508	4401	4290	4179	3900	3575	3178	2499
		1½	1335	1.57	21	5191	5102	5010	4913	4814	4599	4344	4052	3713
4YU98	21½"	2	1460	2.05	24	5677	5596	5514	5425	5336	5155	4938	4699	4426
		1/4	600	0.26	7.3	3320	2984	2637	2089	—	—	—	—	—
		1/3	665	0.35	8.5	3680	3378	3085	2706	2087	—	—	—	—
		1/2	770	0.55	10.7	4261	4013	3744	3477	3141	—	—	—	—
		3/4	860	0.77	12.9	4759	4548	4289	4068	3811	3085	—	—	—
		1	965	1.09	15.4	5340	5158	4927	4720	4520	4015	3240	—	—
		1½	1090	1.56	18.9	6032	5870	5682	5473	5301	4925	4450	3751	—
5EFH8	22½"	2	1200	2.09	23	6640	6494	6336	6145	5969	5651	5274	4829	4177
		1/4	500	0.26	7.9	3799	3512	3132	2542	—	—	—	—	—
		1/3	550	0.35	8.9	4179	3924	3629	3158	2526	—	—	—	—
		1/2	640	0.55	12.1	4863	4654	4403	4120	3702	—	—	—	—
		3/4	710	0.75	14.4	5395	5206	4990	4762	4459	3633	—	—	—
		1	800	1.07	16.1	6079	5911	5732	5530	5326	4716	3929	—	—
		1½	895	1.50	18.8	6801	6651	6501	6323	6142	5723	5122	4401	—
2	985	2.00	23	7485	7349	7212	7062	6898	6568	6107	5548	4883		

Performance certified is for installation type A: Free inlet, Free outlet. Power rating (BHP) does not include transmission losses. Performance ratings include the effects of a birdscreen in the airstream. The sound ratings shown are loudness values in fan sones at 5 ft. (1.5 m) in a hemispherical free field calculated per AMCA Standard 301. Values shown are for installation type A: Free inlet hemispherical sone levels.

Models 2RB59 thru 2RB64, 3GY66G thru 3GY71G, 3HFL6 thru 3HFL9, 4YU92 thru 4YU99, 4YY10 thru 4YY12, 5EFH7 thru 5EFH9, 5EFJ0 and 5EFJ1

Without Drive Package Performance (Continued)

Model	Wheel Dia.	HP	Fan RPM	Max BHP	Sones @ .250 SP	CFM Air Delivery @ Static Pressure Shown								
						.000"	.125"	.250"	.375"	.500"	.750"	1.000"	1.250"	1.500"
4YU99	24½"	1/4	460	0.26	5.7	4223	3785	3188	2036	—	—	—	—	—
		1/3	505	0.35	6.9	4637	4242	3761	3060	—	—	—	—	—
		1/2	585	0.55	9.1	5371	5031	4666	4195	3562	—	—	—	—
		3/4	660	0.79	11.8	6060	5757	5449	5094	4636	3217	—	—	—
		1	730	1.06	14.3	6702	6428	6158	5861	5507	4568	—	—	—
		1½	825	1.54	17.7	7575	7332	7092	6844	6574	5901	5002	—	—
		2	910	2.06	21	8355	8135	7916	7700	7467	6933	6240	5388	3707
		3	910	2.06	21	8355	8135	7916	7700	7467	6933	6240	5388	3707
5EFH9	26½"	1/2	465	0.54	10.4	6005	5570	5063	4484	3745	—	—	—	—
		3/4	520	0.75	11.3	6716	6324	5898	5413	4869	3008	—	—	—
		1	580	1.04	13.0	7491	7137	6775	6363	5912	4826	—	—	—
		1½	665	1.57	15.8	8588	8278	7979	7637	7274	6474	5465	3608	—
		2	735	2.13	18.3	9493	9212	8938	8652	8335	7649	6878	5916	4236
		3	835	3.12	22	10,784	10,537	10,292	10,055	9794	9225	8606	7932	7157
4YY10	30½"	1/3	365	0.35	5.7	5912	5222	4340	—	—	—	—	—	—
		1/2	420	0.53	7.0	6803	6222	5537	4641	—	—	—	—	—
		3/4	475	0.77	9.6	7694	7197	6616	5955	5095	—	—	—	—
		1	530	1.07	12.2	8585	8150	7640	7094	6456	4195	—	—	—
		1½	600	1.55	14.9	9719	9334	8907	8446	7952	6721	—	—	—
		2	665	2.11	17.7	10,772	10,425	10,060	9648	9228	8269	7025	—	—
		3	760	3.15	21	12,311	12,007	11,704	11,357	10,997	10,242	9369	8293	6437
		5	890	5.09	28	14,416	14,157	13,898	13,639	13,335	12,716	12,073	11,379	10,536
5EFJ0	33½"	1	415	1.07	11.3	10,024	9401	8713	7927	7050	—	—	—	—
		1½	465	1.51	14.0	11,232	10,683	10,087	9425	8706	6966	—	—	—
		2	510	2.00	16.6	12,319	11,824	11,294	10,719	10,085	8696	6472	—	—
		3	590	3.09	21	14,251	13,825	13,376	12,908	12,408	11,307	10,081	8536	—
		5	700	5.17	27	16,908	16,549	16,185	14,987	15,408	14,564	13,624	12,640	11,538
4YY11	36"	1/2	325	0.56	6.8	8693	7830	6756	5001	—	—	—	—	—
		3/4	365	0.79	8.9	9763	9024	8109	7013	—	—	—	—	—
		1	410	1.12	11.9	10,966	10,330	9558	8686	7641	—	—	—	—
		1½	460	1.59	14.8	12,304	11,737	11,085	10,360	9568	7096	—	—	—
		2	505	2.09	17.3	13,507	12,991	12,431	11,795	11,096	9473	—	—	—
		3	580	3.18	22	15,513	15,064	14,614	14,077	13,523	12,289	10,813	—	—
		5	685	5.23	29	18,322	17,941	17,560	17,179	16,711	15,774	14,710	13,535	12,119
		5EFJ1	42"	3	435	3.00	17.8	17,925	17,264	16,540	15,792	14,790	12,502	—
5	515	4.98		23	21,222	20,663	20,081	19,459	18,826	17,162	15,254	12,312	—	
7½	600	7.87		30	24,725	24,245	23,765	23,243	22,709	21,621	20,104	18,585	16,590	
4YY12	50"	1	214	1.04	8.7	17,245	14,939	12,242	—	—	—	—	—	—
		1½	245	1.54	11.0	19,743	17,749	15,481	12,983	—	—	—	—	—
		2	269	2.08	13.2	21,677	19,873	17,857	15,752	—	—	—	—	—
		3	308	2.96	16.9	24,820	23,263	21,627	19,752	17,903	—	—	—	—
		5	366	4.99	21	29,494	28,188	26,834	25,429	23,831	20,688	—	—	—
		7½	419	7.78	27	33,764	32,624	31,467	30,265	29,015	26,276	23,486	—	—
		10	460	10.26	32	37,068	36,030	34,991	33,900	32,805	30,342	27,917	—	—

Performance certified is for installation type A: Free inlet, Free outlet. Power rating (BHP) does not include transmission losses. Performance ratings include the effects of a birdscreen in the airstream. The sound ratings shown are loudness values in fan sones at 5 ft. (1.5 m) in a hemispherical free field calculated per AMCA Standard 301. Values shown are for installation type A: Free inlet hemispherical sone levels.

ENGLISH



Dayton® Centrifugal Belt-Drive Downblast Exhaust Ventilators

With Drive Package, Assembled Performance

Model	Wheel Dia.	HP	Fan RPM	Max BHP	Sones @ .250 SP	CFM Air Delivery @ Static Pressure Shown								
						.000"	.125"	.250"	.375"	.500"	.750"	1.000"	1.250"	1.500"
1-PHASE, 115/208-230														
2RB59	11"	1/4	1710	0.13	11.0	373	353	335	312	292	246	198	—	—
2RB60	11	1/4	1710	0.19	12.1	856	821	785	748	710	630	511	—	—
2RB61	11	1/4	1710	0.25	13.2	1296	1238	1180	1122	1062	934	785	—	—
2RB62	11	1/3	1800	0.33	12.5	1526	1471	1419	1368	1321	1209	1065	793	—
2RB63	13¼	1/2	1725	0.50	17.0	2093	2038	1984	1928	1871	1743	1600	1426	1180
3HFL6	14¾	1/4	1075	0.26	9.4	1994	1882	1771	1647	1490	—	—	—	—
2RB64	14¾	1/2	1360	0.53	13.9	2523	2433	2347	2259	2166	1943	1602	—	—
3HFL7	16¾	1/2	1100	0.53	14.1	3249	3095	2943	2787	2615	2198	—	—	—
3GY70G	18½	1	1185	1.10	17.8	4608	4508	4401	4290	4179	3900	3575	3178	2499
3GY71G	21½	1½	1090	1.56	18.9	6032	5870	5682	5473	5301	4925	4450	3751	—
3HFL8	30½	1½	600	1.55	14.9	9719	9334	8907	8446	7952	7388	6721	5743	—
3-PHASE, 208-230/460														
3GY66G	18½"	1	1185	1.10	17.8	4608	4508	4401	4290	4179	3900	3575	3178	2499
3GY67G	21½	1½	1090	1.56	18.9	6032	5870	5682	5473	5301	4925	4450	3751	—
3GY68G	24½	2	910	2.06	21	8355	8135	7916	7700	7467	6933	6240	5388	3707
3GY69G	30½	3	760	3.15	21	12,311	12,007	11,704	11,357	10,997	10,242	9369	8293	6437
3HFL9	36	5	685	5.23	29	18,322	17,941	17,560	17,179	16,711	15,774	14,710	13,535	12,119

Performance certified is for installation type A: Free inlet, Free outlet. Power rating (BHP) does not include transmission losses. Performance ratings include the effects of a birdscreen in the airstream. The sound ratings shown are loudness values in fan sones at 5 ft. (1.5 m) in a hemispherical free field calculated per AMCA Standard 301. Values shown are for installation type A: Free inlet hemispherical sone levels.

Unpacking

1. Inspect for any damage that may have occurred during transit.
2. Shipping damage claim must be filed with carrier.
3. Check all bolts, screws, set-screws, etc. for looseness that may have occurred during transit. Retighten as required. Rotate wheel by hand to be sure it turns freely.

General Safety Information

⚠ DANGER Do not depend on any switch as the sole means of disconnecting power when installing or servicing the fan. Always disconnect, lock and tag power source before installing or servicing. Failure to disconnect power source can result in fire, shock or serious injury. Motor will restart without warning

after thermal protector trips. Do not touch operating motor, it may be hot enough to cause injury.

⚠ DANGER Do not place any body parts or objects in fan, motor openings or drives while motor is connected to power source.

⚠ WARNING Do not use this equipment in explosive atmospheres unless motor and disconnect are suitable for use in hazardous environments.

1. Read and follow all instructions and cautionary markings. Make sure electrical power source conforms to requirements of equipment and local codes.
2. Ventilators should be assembled, installed and serviced by a qualified technician. Have all electrical work performed by a qualified electrician.

3. Follow all local electrical and safety codes in the United States and Canada, as well as the National Electrical Code (NEC) and the Occupational Safety and Health Act (OSHA) in the United States. Ground motor in accordance with NEC Article 250 (grounding). Follow the Canadian Electric Code (CEC) in Canada.

⚠ CAUTION To reduce the risk of injury to persons, observe the following:

OSHA requires OSHA complying guards when ventilator is installed within 7 feet of floor or working level.

UL/cUL Standards require OSHA complying guards when ventilator is installed within 8 feet of floor or working level.

Models 2RB59 thru 2RB64, 3GY66G thru 3GY71G, 3HFL6 thru 3HFL9, 4YU92 thru 4YU99, 4YY10 thru 4YY12, 5EFH7 thru 5EFH9, 5EFJ0 and 5EFJ1

General Safety Information (Continued)

4. Do not kink power cable or allow it to come in contact with sharp objects, oil, grease, hot surfaces or chemicals. Replace damaged cords immediately.
5. Make certain that the power source conforms to the requirements for the equipment.
6. Never open access door to a duct with the ventilator running.
7. Motor must be securely and adequately grounded. This can be accomplished by wiring with a grounded, metal-clad race way system by using a separate ground wire connected to the bare metal of the motor frame, or other suitable means.

Installation

WARNING Installation, troubleshooting and parts replacement is to be performed only by a qualified personnel.

ROOF MOUNTING

NOTE: Mount unit with a Dayton roof curb (purchased separately).

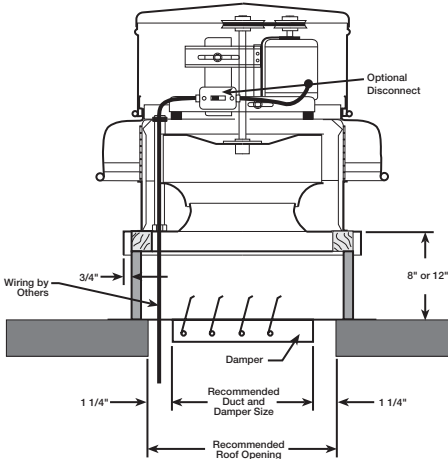


Figure 2 — Typical Roof-Mount

1. Cut an appropriate sized hole in the roof surface. Follow curb manufacturer's installation instructions. Caulk and flash curb to ensure a water tight seal.
 2. Install optional backdraft damper. Secure damper flange to curb damper tray.
 3. Remove motor cover by removing fasteners.
- CAUTION** Do not raise ventilator by its windband; use a sling or platform.
4. Use lifting lugs on the drive frame to lift and place the unit on top of curb. Refer to Figure 3.

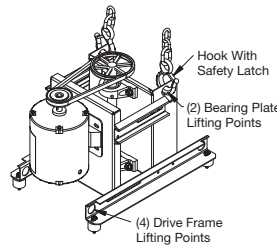


Figure 3 — Lifting Lugs on Drive Frame

5. Secure ventilator to roof curb using a minimum of eight fasteners.
6. Check ventilator wheel for free rotation.
7. Check all fasteners for tightness.
8. Mount and wire safety disconnect switch under ventilator cover and wire motor per connection wiring diagram on motor. See Electrical Connection, Figure 7. Wire control switches at ground level.
9. Replace motor cover.

MOTOR AND PULLEY MOUNTING

NOTE: For UL Listed units, the motor used with this fan must be designated as such by Dayton.

1. Secure motor plate using hardware provided. Holes will align when the motor frame (shaft end) is flush with the edge of the motor plate.

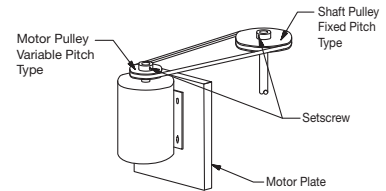


Figure 4 — Drive Package Diagram

2. Mount pulleys on shafts securing to shaft with set screw. Check pulleys for proper alignment. Misaligned pulleys lead to excessive belt wear, vibration, noise and blower loss.

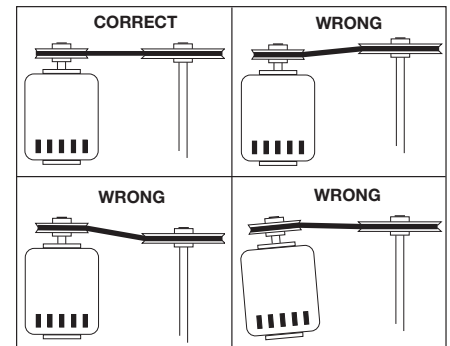


Figure 5 — Pulley Alignment

3. Install the belt and adjust the tension to allow for 1/64" of deflection per inch of span when moderate thumb pressure is applied to the belt. Too much tension will cause excess bearing wear and noise. Too little tension will cause slippage at startup and uneven wear.

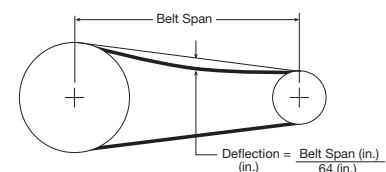


Figure 6 — Belt Tension

ENGLISH

Dayton® Centrifugal Belt-Drive Downblast Exhaust Ventilators

Installation (Continued)

- Adjust RPM to desired level using a variable pitch pulley. After adjustment, motor amperage should be checked to avoid overloading of the motor.

ELECTRICAL CONNECTION

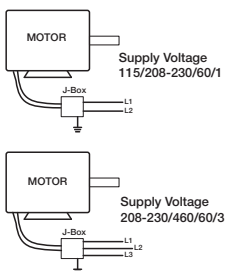
NOTE: Refer to motor nameplate for wiring procedures. Refer to switch manufacturer for installation and wiring procedures.

- Motor and fan must be securely grounded (bare metal) to a suitable electric ground, such as a grounded water pipe or ground wire system.

▲ WARNING *Comply with all local and national safety codes including the National Electrical Code (NEC) and National Fire Protection Act (NFPA).*

NOTE: Motor and disconnect must be classified as hazardous for fan to be suitable for use in hazardous environments. Installation must be performed by a qualified personnel with suitable motor and disconnect for application.

NOTE: Refer to Figure 7 for connection wiring diagram.



**Figure 7 — Typical Wiring Diagram
Operation**

- Before starting up or operating your new Dayton ventilator, check all

fasteners for tightness. In particular, check to set screws in wheel hub (and sheaves, if applicable). While in the OFF position, or before connecting the ventilator to power, turn the fan wheel by hand to be sure it is not striking the orifice or any obstacle.

- Start the ventilator up and shut it off immediately to check rotation of the wheel with directional arrow in the motor compartment. Ventilator wheel should rotate **clockwise** when viewed from the top.
- When the ventilator is started, observe the operation and check for any unusual noises.
- With the system in full operation and all duct work attached, measure current input to the motor and compare with the nameplate rating to determine if the motor is operating under safe load conditions.

IMPORTANT: Adjust (tighten) belt tension after the first 48 hours of operation.

- Keep inlets and approaches to ventilator clean and free from obstruction.

Maintenance

▲ WARNING *Disconnect and lockout power source before servicing.*

▲ CAUTION *Uneven cleaning of the wheel will produce an out of balance condition that will cause vibration in the ventilator.*

- Keep inlets and approaches to ventilator clean and free from obstruction. Depending on the usage and severity of the contaminated air, a regularly scheduled inspection for cleaning the fan wheel, ventilator,

and surrounding areas should be established.

- Check for unusual noises when fan is running.
- Periodically inspect and tighten set-screws.
- Periodically check belts for wear and tightness.

NOTE: When replacing belts use the same type as supplied with the unit.

NOTE: For belt replacement, loosen the tension device far enough to allow removal of the belt by hand.

▲ WARNING *Do not force belts on or off. This may cause cords to break, leading to premature belt failure.*

- Most ventilator bearings are pre-lubricated and require no further lubrication, check bearings.
- Follow motor manufacturer's instructions for motor lubrication.
- For disassembly of the motor or wheel, refer to the parts illustration.
- For critical applications, a spare motor and belts should be available.

RECOMMENDED RELUBRICATION FREQUENCY IN MONTHS

Operating Speed (RPM)	Shaft Dia. in Inches 1/2 to 1 1/2
Up to 500	6
500 - 1000	6
1000 - 1500	5

NOTE: If unusual environmental conditions exist - high temperature, moisture, or contaminants - more frequent lubrication is recommended. Any good quality lithium base grease conforming to NLGI Grade 2 consistency such as those listed here may be used.

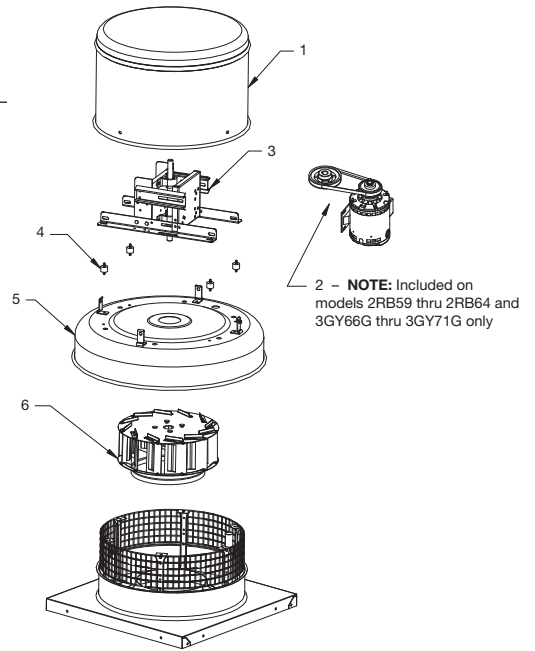
Mobil 532	Texaco Multifak #2
Mobilux #2	Texaco Premium RB
B Shell Alvania #2	Unirex N2

For Repair Parts, call 1-800-323-0620

24 hours a day – 365 days a year

Please provide following information:

- Model number
- Serial number (if any)
- Part description and number as shown in parts list



Repair Parts List for Without Drive Package

Reference Number	Description	Part Number For Models:								Qty.
		4YU92	4YU93	4YU94	4YU95	4YU96	4YU97	4YU98	4YU99	
1	Motor Cover	6366497	6366497	6366497	6366498	6366498	6366494	6366494	6366495	1
2	Drive Package	—	—	—	—	—	—	—	—	—
3	Drive Frame Assembly	6366418	6366418	6366419	6366420	6366420	6366421	6366421	6366512	1
4	Isolator Kit	6366403	6366403	6366403	6366403	6366403	6366406	6366406	6366406	1
5	Shroud	6366369	6366369	6366369	6366370	6366370	6366447	6366447	6366368	1
6	Wheel	6366395	6366393	6366385	6366468	6366465	6366461	6366462	6366464	1

Reference Number	Description	Part Number For Models:								Qty.
		4YY10	4YY11	4YY12	5EFH7	5EFH8	5EFH9	5EFJ0	5EFJ1	
1	Motor Cover	6366496	6366499	6366505	6366497	6366495	6366496	6366499	51E094	1
2	Drive Package	—	—	—	—	—	—	—	—	—
3	Drive Frame Assembly	6366513	6366514	6366515	51E088	6366489	6366511	51E092	51E095	1
4	Isolator Kit	6366408	6366408	6366408	6366403	6366406	6366406	6366408	6366408	1
5	Shroud	6366439	6366479	6366478	51E089	51E090	51E091	51E093	51E096	1
6	Wheel	6366481	6366482	6366480	6366463	51E097	51E098	51E099	51E100	1

Repair Parts List for With Drive Package, Assembled

Reference Number	Description	Part Number For Models:								Qty.
		2RB59	2RB60	2RB61	2RB62	2RB63	2RB64	3GY66G	3GY67G	
1	Motor Cover	6366497	6366497	6366497	6366497	6366497	6366498	6366494	6366494	1
2	Drive Package	—	—	—	—	—	—	—	—	—
	Motor	1AGG1	1AGG1	1AGG1	1AGG2	1AGG3	1AGG3	4YU38	4YU39	1
	Driver Sheave	3X274	3X274	3X274	3X274	3X264	3X264	3X263	3X264	1
	Belt	4L220	4L220	4L220	4L220	4L230	4L250	3VU43	6A139	1
	Driven Sheave	3X779	3X779	3X779	3X888	3X779	3X786	3X845	3X791	1
3	Drive Frame Assembly	6366418	6366418	6366418	6366418	6366418	6366420	6366421	6366509	1
4	Isolator Kit	6366403	6366403	6366403	6366403	6366403	6366403	6366406	6366406	1
5	Shroud	6366369	6366369	6366369	6366369	6366369	6366370	6366447	6366447	1
6	Wheel	50B880	50B880	6366395	6366393	6366385	6366468	6366461	6366462	1

Reference Number	Description	Part Number For Models:								Qty.
		3GY68G	3GY69G	3GY70G	3GY71G	3HFL6	3HFL7	3HFL8	3HFL9	
1	Motor Cover	6366495	6366496	6366494	6366494	6366498	6366498	6366496	6366505	1
2	Drive Package	—	—	—	—	—	—	—	—	—
	Motor	4YU40	4YU41	4YU30	4YU31	1AGG1	1AGG3	4YU31	3RED8	1
	Driver Sheave	3X264	3X945	3X263	3X264	3X274	3X264	3X494	3X400	1
	Belt	6A116	1A105	3VU43	6A139	4L280	4L280	3X704	3X546*	1
	Driven Sheave	3X795	3X805	3X845	3X791	3X592	3X591	3X609	3X571	1
	Driven Bushing	—	—	—	—	3X573	3X573	3X576	3X579	1
3	Drive Frame Assembly	6366510	6366511	6366421	6366509	6366420	6366420	6366421	6366515	1
4	Isolator Kit	6366406	6366408	6366406	6366406	6366403	6366403	6366408	6366408	1
5	Shroud	6366368	6366439	6366447	6366447	6366370	6366370	6366439	6366478	1
6	Wheel	6366464	6366481	6366461	6366462	6366468	6366465	6366481	6366482	1

(*) Two belts are required for model 3HFL9.

ENGLISH



Dayton® Centrifugal Belt-Drive Downblast Exhaust Ventilators

Trouble Shooting Chart

Symptom	Possible Cause(s)	Corrective Action
Ventilator Inoperative	<ol style="list-style-type: none"> 1. Blown fuse or breaker 2. Defective motor 3. Incorrectly wired 4. Broken belts 	<ol style="list-style-type: none"> 1. Replace or repair 2. Replace or repair 3. Shut power OFF and check wiring for proper connections 4. Replace
Insufficient airflow	<ol style="list-style-type: none"> 1. Blocked duct or clogged filters 2. Speed too slow 3. Damper closed 4. Belt slippage 5. Incorrect wheel rotation 6. Loose fitting duct sections permitting air loss 	<ol style="list-style-type: none"> 1. Clean or replace 2. Check for correct drives 3. Inspect/repair 4. Replace/adjust tension 5. Check motor wiring 6. Check for secure connection where duct sections are joined (suggest duct tape at seams for sealed closure)
Excessive noise or vibration	<ol style="list-style-type: none"> 1. Belt(s) too loose/tight 2. Loose or defective bearings 3. Loose wheel or sheaves 4. Accumulation of material on wheel 5. Mis-aligned sheaves 6. Ventilator base not securely anchored 7. Motor hood loose and rattling 8. Fan wheel out of balance 	<ol style="list-style-type: none"> 1. Adjust tension 2. Replace bearings 3. Tighten set screws 4. Clean 5. Re-align 6. Secure properly 7. Tighten acorn nuts securing motor hood 8. Replace wheel
Motor overloads or overheats	<ol style="list-style-type: none"> 1. Wheel RPM too high 2. Shorted motor winding 3. Incorrect wheel rotation 4. Over/Under line voltage 5. Belt slippage 	<ol style="list-style-type: none"> 1. Check drives 2. Replace motor 3. Check motor wiring 4. Contact Power Co. 5. Tighten belt

LIMITED WARRANTY

DAYTON ONE-YEAR LIMITED WARRANTY. DAYTON® CENTRIFUGAL BELT-DRIVE DOWNBLAST EXHAUST VENTILATORS, MODELS COVERED IN THIS MANUAL, ARE WARRANTED BY DAYTON ELECTRIC MFG. CO. (DAYTON) TO THE ORIGINAL USER AGAINST DEFECTS IN WORKMANSHIP OR MATERIALS UNDER NORMAL USE FOR ONE YEAR AFTER DATE OF PURCHASE. ANY PART WHICH IS DETERMINED TO BE DEFECTIVE IN MATERIAL OR WORKMANSHIP AND RETURNED TO AN AUTHORIZED SERVICE LOCATION, AS DAYTON DESIGNATES, SHIPPING COSTS PREPAID, WILL BE, AS THE EXCLUSIVE REMEDY, REPAIRED OR REPLACED AT DAYTON'S OPTION. FOR LIMITED WARRANTY CLAIM PROCEDURES, SEE "PROMPT DISPOSITION" BELOW. THIS LIMITED WARRANTY GIVES PURCHASERS SPECIFIC LEGAL RIGHTS WHICH VARY FROM JURISDICTION TO JURISDICTION.

LIMITATION OF LIABILITY. TO THE EXTENT ALLOWABLE UNDER APPLICABLE LAW, DAYTON'S LIABILITY FOR CONSEQUENTIAL AND INCIDENTAL DAMAGES IS EXPRESSLY DISCLAIMED. DAYTON'S LIABILITY IN ALL EVENTS IS LIMITED TO AND SHALL NOT EXCEED THE PURCHASE PRICE PAID.

WARRANTY DISCLAIMER. A DILIGENT EFFORT HAS BEEN MADE TO PROVIDE PRODUCT INFORMATION AND ILLUSTRATE THE PRODUCTS IN THIS LITERATURE ACCURATELY; HOWEVER, SUCH INFORMATION AND ILLUSTRATIONS ARE FOR THE SOLE PURPOSE OF IDENTIFICATION, AND DO NOT EXPRESS OR IMPLY A WARRANTY THAT THE PRODUCTS ARE MERCHANTABLE, OR FIT FOR A PARTICULAR PURPOSE, OR THAT THE PRODUCTS WILL NECESSARILY CONFORM TO THE ILLUSTRATIONS OR DESCRIPTIONS. EXCEPT AS PROVIDED BELOW, NO WARRANTY OR AFFIRMATION OF FACT, EXPRESSED OR IMPLIED, OTHER THAN AS STATED IN THE "LIMITED WARRANTY" ABOVE IS MADE OR AUTHORIZED BY DAYTON.

Technical Advice and Recommendations, Disclaimer. Notwithstanding any past practice or dealings or trade custom, sales shall not include the furnishing of technical advice or assistance or system design. Dayton assumes no obligations or liability on account of any unauthorized recommendations, opinions or advice as to the choice, installation or use of products.

Product Suitability. Many jurisdictions have codes and regulations governing sales, construction, installation, and/or use of products for certain purposes, which may vary from those in neighboring areas. While attempts are made to assure that Dayton products comply with such codes, Dayton cannot guarantee compliance, and cannot be responsible for how the product is installed or used. Before purchase and use of a product, review the product applications, and all applicable national and local codes and regulations, and be sure that the product, installation, and use will comply with them.

Certain aspects of disclaimers are not applicable to consumer products; e.g., (a) some jurisdictions do not allow the exclusion or limitation of incidental or consequential damages, so the above limitation or exclusion may not apply to you; (b) also, some jurisdictions do not allow a limitation on how long an implied warranty lasts, consequently the above limitation may not apply to you; and (c) by law, during the period of this Limited Warranty, any implied warranties of implied merchantability or fitness for a particular purpose applicable to consumer products purchased by consumers, may not be excluded or otherwise disclaimed.

Prompt Disposition. A good faith effort will be made for prompt correction or other adjustment with respect to any product which proves to be defective within limited warranty. For any product believed to be defective within limited warranty, first write or call dealer from whom the product was purchased. Dealer will give additional directions. If unable to resolve satisfactorily, write to Dayton at address below, giving dealer's name, address, date, and number of dealer's invoice, and describing the nature of the defect. Title and risk of loss pass to buyer on delivery to common carrier. If product was damaged in transit to you, file claim with carrier.

Manufactured for Dayton Electric Mfg. Co., 5959 W. Howard St., Niles, Illinois 60714-4014 U.S.A.

Manufactured for Dayton Electric Mfg. Co.
Niles, Illinois 60714 U.S.A.

Dayton®

Por favor lea y guarde estas instrucciones. Léelas cuidadosamente antes de tratar de montar, instalar, operar o dar mantenimiento al producto aquí descrito. Protéjase usted mismo y a los demás observando toda la información de seguridad. ¡El no cumplir con las instrucciones puede ocasionar daños, tanto personales como a la propiedad! Guarde estas instrucciones para referencia en el futuro.

Extractores Centrífugos de Transmisión por Correa de Tiro Hacia Abajo Dayton®

Descripción

Los ventiladores Dayton están diseñados para brindar un funcionamiento continuo con el fin de proporcionar un escape para el aire limpio, el aire tóxico y los olores. Se usan normalmente para redes de conductos de longitud o resistencia promedio. Los ventiladores pueden soportar temperaturas de hasta 82° C (180° F). Los ventiladores resistentes a las inclemencias del tiempo cuentan con carcasas fabricadas de aluminio de calibre grueso con una estructura de soporte interna rígida, una base de montaje de aluminio moldeado por centrifugación, un filtro para pájaros y un bastidor motriz de acero. Todos los ventiladores aparecen en las listas de UL/cUL con la norma 705.

Los motores se montan fuera del flujo de descarga en una cámara de frío positivo alimentada por aire exterior que se aspira debajo de la cubierta del motor.

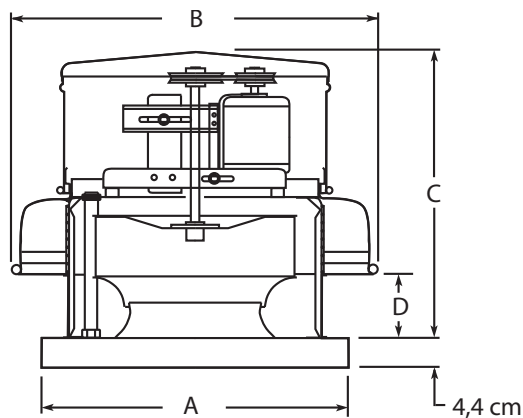


Figura 1 — Dimensiones



Accesorios Opcionales

Descripción	General o UL 705 Nº de Modelo
Interruptor de Desconexión NEMA 1:	
	1H400 (bipolar, 2 HP máx.)
	1H401 (tripolar, 7½ HP máx.)
Regulador de Tiro:	4HX64-4HX71
Base de Montaje Fija de Techo de 30,5 cm (12 pulg.):	
	2RB75-2RB83, 5EFJ2, 5EFJ3
Base de Montaje de Techo Adyacente de 30,5 cm (12 pulg.):	
	2ZV82-2ZV85, 2ZV87
Adaptadores para Base de Montaje de Techo:	
	3AZK1-3AZK9, 3AZL1-3AZL3
Juego de Bisagras:	4HX79, 4YY84-4YY86

ADVERTENCIA No lo utilice en aplicaciones de extracción para cocinas.



Dayton Electric Mfg. Co. certifica que los ventiladores que aquí se muestran tienen licencia para llevar el sello AMCA. Los niveles que se muestran se basan en pruebas y procedimientos realizados según la Publicación 211 y 311 de AMCA y cumplen los requisitos del Programa Certified Ratings de AMCA.

Dimensiones y Especificaciones (Consulte la Figura 1)

Modelo sin Paquete de Accionamiento	Modelo con Paquete de Accionamiento Ensamblado	Diám. de la Rueda	Diám. del Eje	A	B	C	D	Abertura Recomendada en Techo	Tamaño Recomendado del Regulador de Tiro
4YU92	2RB59, 2RB60, 2RB61	27,9 cm	19,1 mm	48,3 cm	61,9 cm	63,2 cm	11,1 cm	36,8 x 36,8 cm	30,5 x 30,5 cm
4YU93	2RB62	27,9	19,1	55,9	61,9	63,2	11,1	44,5 x 44,5	38,1 x 38,1
4YU94	2RB63	33,7	19,1	55,9	61,9	63,2	11,1	44,5 x 44,5	38,1 x 38,1
5EFH7	—	34,9	19,1	55,9	72,1	64,5	10,2	44,5 x 44,5	38,1 x 38,1
4YU95	2RB64, 3HFL6	37,5	19,1	66,0	72,1	64,5	10,2	54,6 x 54,6	48,3 x 48,3
4YU96	3HFL7	42,5	19,1	66,0	72,1	69,2	10,2	54,6 x 54,6	48,3 x 48,3
4YU97	3GY70G, 3GY66G	47,0	19,1	76,2	90,2	87,3	14,0	64,8 x 64,8	58,4 x 58,4
4YU98	3GY71G, 3GY67G	54,6	19,1	76,2	90,2	87,3	14,0	64,8 x 64,8	58,4 x 58,4
5EFH8	—	57,2	25,4	86,4	108,6	97,5	14,6	74,9 x 74,9	68,6 x 68,6
4YU99	3GY68G	62,2	25,4	86,4	108,6	97,5	14,6	74,9 x 74,9	68,6 x 68,6
5EFH9	—	67,3	25,4	101,6	127,0	91,4	21,0	74,9 x 74,9	68,6 x 68,6
4YY10	3GY69G, 3HFL8	77,5	25,4	106,7	127,0	91,4	21,0	95,3 x 95,3	88,9 x 88,9
5EFJ0	—	85,1	31,8	116,8	149,2	97,8	22,5	105,4 x 105,4	99,1 x 99,1
4YY11	3HFL9	91,4	31,8	116,8	149,2	97,8	14,9	105,4 x 105,4	99,1 x 99,1
5EFJ1	—	106,7	31,8	132,1	165,7	111,8	24,8	105,4 x 105,4	99,1 x 99,1
4YY12	—	127,0	31,8	162,6	210,8	128,9	36,8	133,4 x 133,4	127,0 x 127,0

Extractores Centrífugos de Transmisión por Correa de Tiro Hacia Abajo Dayton®

Rendimiento sin el Paquete de Accionamiento

Modelo	Diám. de la Rueda	HP	RPM del Ventilador	BHP Máx.	Sonios a 0,250 SP	Suministro de Aire en CFM a la Presión Estática que se Muestra									
						0,000"	0,125"	0,250"	0,375"	0,500"	0,750"	1,000"	1,250"	1,500"	
4YU92	27,9 cm	1/6	1401	0,14	10,0	1062	991	920	846	767	567	—	—	—	
		1/4	1710	0,25	13,2	1296	1238	1180	1122	1062	934	785	—	—	
4YU93	27,9	1/4	1635	0,25	10,4	1386	1326	1269	1215	1162	1020	793	—	—	
		1/3	1800	0,33	12,5	1526	1471	1419	1368	1321	1209	1065	793	—	
4YU94	33,7	1/4	1395	0,26	12,3	1692	1625	1557	1484	1404	1214	907	—	—	
		1/3	1550	0,36	14,3	1880	1820	1759	1696	1629	1475	1289	974	—	
		1/2	1725	0,50	17,0	2093	2038	1984	1928	1871	1743	1600	1426	1180	
5EFH7	34,9	1/4	1315	0,26	12,5	1866	1794	1718	1637	1545	1305	—	—	—	
		1/3	1440	0,35	15,1	2044	1978	1911	1838	1759	1571	1299	—	—	
		1/2	1685	0,56	16,3	2391	2335	2279	2219	2158	2020	1857	1654	1312	
4YU95	37,5	1/4	1075	0,26	9,4	1994	1882	1771	1647	1490	—	—	—	—	
		1/3	1170	0,34	10,8	2170	2067	1966	1859	1734	1356	—	—	—	
		1/2	1360	0,53	13,9	2523	2433	2347	2259	2166	1943	1602	—	—	
		3/4	1545	0,78	17,4	2866	2787	2710	2634	2556	2384	2177	1890	—	
		1	1705	1,05	20	3163	3091	3020	2952	2883	2739	2574	2370	2120	
4YU96	42,5	1/4	865	0,26	9,7	2555	2360	2162	1933	1624	—	—	—	—	
		1/3	945	0,34	11,5	2791	2612	2434	2236	2010	—	—	—	—	
		1/2	1100	0,53	14,1	3249	3095	2943	2787	2615	2198	—	—	—	
		3/4	1250	0,79	17,0	3692	3557	3422	3289	3149	2838	2444	—	—	
		1	1375	1,05	19,6	4062	3938	3815	3694	3571	3304	3007	2609	2073	
4YU97	47,0	1/4	730	0,26	7,2	2839	2668	2469	2213	1822	—	—	—	—	
		1/3	810	0,35	8,7	3150	2997	2832	2624	2375	—	—	—	—	
		1/2	940	0,54	12,0	3655	3527	3388	3234	3052	2601	—	—	—	
		3/4	1055	0,77	14,9	4102	3990	3867	3742	3596	3252	2811	—	—	
		1	1185	1,10	17,8	4608	4508	4401	4290	4179	3900	3575	3178	2499	
		1½	1335	1,57	21	5191	5102	5010	4913	4814	4599	4344	4052	3713	
		2	1460	2,05	24	5677	5596	5514	5425	5336	5155	4938	4699	4426	
4YU98	54,6	1/4	600	0,26	7,3	3320	2984	2637	2089	—	—	—	—	—	
		1/3	665	0,35	8,5	3680	3378	3085	2706	2087	—	—	—	—	
		1/2	770	0,55	10,7	4261	4013	3744	3477	3141	—	—	—	—	
		3/4	860	0,77	12,9	4759	4548	4289	4068	3811	3085	—	—	—	
		1	965	1,09	15,4	5340	5158	4927	4720	4520	4015	3240	—	—	
		1½	1090	1,56	18,9	6032	5870	5682	5473	5301	4925	4450	3751	—	
		2	1200	2,09	23	6640	6494	6336	6145	5969	5651	5274	4829	4177	
5EFH8	57,2	1/4	500	0,26	7,9	3799	3512	3132	2542	—	—	—	—	—	
		1/3	550	0,35	8,9	4179	3924	3629	3158	2526	—	—	—	—	
		1/2	640	0,55	12,1	4863	4654	4403	4120	3702	—	—	—	—	
		3/4	710	0,75	14,4	5395	5206	4990	4762	4459	3633	—	—	—	
		1	800	1,07	16,1	6079	5911	5732	5530	5326	4716	3929	—	—	
		1½	895	1,50	18,8	6801	6651	6501	6323	6142	5723	5122	4401	—	
		2	985	2,00	23	7485	7349	7212	7062	6898	6568	6107	5548	4883	

El rendimiento certificado es para instalaciones de tipo A: entrada y salida libre. La potencia nominal (BHP) no incluye las pérdidas de transmisión. El rendimiento efectivo incluye los efectos del filtro para pájaros en el flujo de aire. El nivel de ruido que se muestra corresponde a valores de intensidad sonora en sonios del ventilador a 1,5 m (5 pies) de distancia en un campo hemisférico libre según la norma 301 de AMCA. Los valores que se muestran son para instalaciones tipo A: Niveles de sonios hemisféricos de entrada libre.

Modelos 2RB59 a 2RB64, 3GY66G a 3GY71G, 3HFL6 a 3HFL9, 4YU92 a 4YU99, 4YY10 a 4YY12, 5EFH7 a 5EFH9, 5EFJ0 y 5EFJ1

Rendimiento sin el Paquete de Accionamiento (Continuación)

Modelo	Diám. de la Rueda	HP	RPM del Ventilador	BHP Máx.	Sonios a 0,250 SP	Suministro de Aire en CFM a la Presión Estática que se Muestra									
						0,000"	0,125"	0,250"	0,375"	0,500"	0,750"	1,000"	1,250"	1,500"	
4YU99	62,2 cm	1/4	460	0,26	5,7	4223	3785	3188	2036	—	—	—	—	—	
		1/3	505	0,35	6,9	4637	4242	3761	3060	—	—	—	—	—	
		1/2	585	0,55	9,1	5371	5031	4666	4195	3562	—	—	—	—	
		3/4	660	0,79	11,8	6060	5757	5449	5094	4636	3217	—	—	—	
		1	730	1,06	14,3	6702	6428	6158	5861	5507	4568	—	—	—	
		1½	825	1,54	17,7	7575	7332	7092	6844	6574	5901	5002	—	—	
		2	910	2,06	21	8355	8135	7916	7700	7467	6933	6240	5388	3707	
		3	910	2,06	21	8355	8135	7916	7700	7467	6933	6240	5388	3707	
5EFH9	67,3	1/2	465	0,54	10,4	6005	5570	5063	4484	3745	—	—	—	—	
		3/4	520	0,75	11,3	6716	6324	5898	5413	4869	3008	—	—	—	
		1	580	1,04	13,0	7491	7137	6775	6363	5912	4826	—	—	—	
		1½	665	1,57	15,8	8588	8278	7979	7637	7274	6474	5465	3608	—	
		2	735	2,13	18,3	9493	9212	8938	8652	8335	7649	6878	5916	4236	
		3	835	3,12	22	10.784	10.537	10.292	10.055	9794	9225	8606	7932	7157	
4YY10	77,5	1/3	365	0,35	5,7	5912	5222	4340	—	—	—	—	—	—	
		1/2	420	0,53	7,0	6803	6222	5537	4641	—	—	—	—	—	
		3/4	475	0,77	9,6	7694	7197	6616	5955	5095	—	—	—	—	
		1	530	1,07	12,2	8585	8150	7640	7094	6456	4195	—	—	—	
		1½	600	1,55	14,9	9719	9334	8907	8446	7952	6721	—	—	—	
		2	665	2,11	17,7	10.772	10.425	10.060	9648	9228	8269	7025	—	—	
		3	760	3,15	21	12.311	12.007	11.704	11.357	10.997	10.242	9369	8293	6437	
		5	890	5,09	28	14.416	14.157	13.898	13.639	13.335	12.716	12.073	11.379	10.536	
5EFJ0	85,1	1	415	1,07	11,3	10.024	9401	8713	7927	7050	—	—	—	—	
		1½	465	1,51	14,0	11.232	10.683	10.087	9425	8706	6966	—	—	—	
		2	510	2,00	16,6	12.319	11.824	11.294	10.719	10.085	8696	6472	—	—	
		3	590	3,09	21	14.251	13.825	13.376	12.908	12.408	11.307	10.081	8536	—	
		5	700	5,17	27	16.908	16.549	16.185	14.987	15.408	14.564	13.624	12.640	11.538	
4YY11	91,4	1/2	325	0,56	6,8	8693	7830	6756	5001	—	—	—	—	—	
		3/4	365	0,79	8,9	9763	9024	8109	7013	—	—	—	—	—	
		1	410	1,12	11,9	10.966	10.330	9558	8686	7641	—	—	—	—	
		1½	460	1,59	14,8	12.304	11.737	11.085	10.360	9568	7096	—	—	—	
		2	505	2,09	17,3	13.507	12.991	12.431	11.795	11.096	9473	—	—	—	
		3	580	3,18	22	15.513	15.064	14.614	14.077	13.523	12.289	10.813	—	—	
5EFJ1	106,7	3	435	3,00	17,8	17.925	17.264	16.540	15.792	14.790	12.502	—	—	—	
		5	515	4,98	23	21.222	20.663	20.081	19.459	18.826	17.162	15.254	12.312	—	
		7½	600	7,87	30	24.725	24.245	23.765	23.243	22.709	21.621	20.104	18.585	16.590	
		10	685	5,23	29	18.322	17.941	17.560	17.179	16.711	15.774	14.710	13.535	12.119	
4YY12	127,0	1	214	1,04	8,7	17.245	14.939	12.242	—	—	—	—	—	—	
		1½	245	1,54	11,0	19.743	17.749	15.481	12.983	—	—	—	—	—	
		2	269	2,08	13,2	21.677	19.873	17.857	15.752	—	—	—	—	—	
		3	308	2,96	16,9	24.820	23.263	21.627	19.752	17.903	—	—	—	—	
		5	366	4,99	21	29.494	28.188	26.834	25.429	23.831	20.688	—	—	—	
		7½	419	7,78	27	33.764	32.624	31.467	30.265	29.015	26.276	23.486	—	—	
10	460	10,26	32	37.068	36.030	34.991	33.900	32.805	30.342	27.917	—	—			

El rendimiento certificado es para instalaciones de tipo A: entrada y salida libre. La potencia nominal (BHP) no incluye las pérdidas de transmisión. El rendimiento efectivo incluye los efectos del filtro para pájaros en el flujo de aire. El nivel de ruido que se muestra corresponde a valores de intensidad sonora en sonios del ventilador a 1,5 m (5 pies) de distancia en un campo hemisférico libre según la norma 301 de AMCA. Los valores que se muestran son para instalaciones tipo A: Niveles de sonios hemisféricos de entrada libre.

Extractores Centrífugos de Transmisión por Correa de Tiro Hacia Abajo Dayton®

Rendimiento con el Paquete de Accionamiento, Ensamblado

Modelo	Diám. de la Rueda	HP	RPM del Ventilador	BHP Máx.	Sonios a 0,250 SP	Suministro de Aire en CFM a la Presión Estática que se Muestra								
						0,000"	0,125"	0,250"	0,375"	0,500"	0,750"	1,000"	1,250"	1,500"
MONOFÁSICO, 115/208-230														
2RB59	27,9 cm	1/4	1710	0,13	11,0	373	353	335	312	292	246	198	—	—
2RB60	27,9	1/4	1710	0,19	12,1	856	821	785	748	710	630	511	—	—
2RB61	27,9	1/4	1710	0,25	13,2	1296	1238	1180	1122	1062	934	785	—	—
2RB62	27,9	1/3	1800	0,33	12,5	1526	1471	1419	1368	1321	1209	1065	793	—
2RB63	33,7	1/2	1725	0,50	17,0	2093	2038	1984	1928	1871	1743	1600	1426	1180
3HFL6	36,2	1/4	1075	0,26	9,4	1994	1882	1771	1647	1490	—	—	—	—
2RB64	36,2	1/2	1360	0,53	13,9	2523	2433	2347	2259	2166	1943	1602	—	—
3HFL7	42,5	1/2	1100	0,53	14,1	3249	3095	2943	2787	2615	2198	—	—	—
3GY70G	47,0	1	1185	1,10	17,8	4608	4508	4401	4290	4179	3900	3575	3178	2499
3GY71G	54,6	1½	1090	1,56	18,9	6032	5870	5682	5473	5301	4925	4450	3751	—
3HFL8	77,5	1½	600	1,55	14,9	9719	9334	8907	8446	7952	7388	6721	5743	—
TRIFÁSICO, 208-230/460														
3GY66G	47,0	1	1185	1,10	17,8	4608	4508	4401	4290	4179	3900	3575	3178	2499
3GY67G	54,6	1½	1090	1,56	18,9	6032	5870	5682	5473	5301	4925	4450	3751	—
3GY68G	62,2	2	910	2,06	21	8355	8135	7916	7700	7467	6933	6240	5388	3707
3GY69G	77,5	3	760	3,15	21	12.311	12.007	11.704	11.357	10.997	10.242	9369	8293	6437
3HFL9	91,4	5	685	5,23	29	18.322	17.941	17.560	17.179	16.711	15.774	14.710	13.535	12.119

El rendimiento certificado es para instalaciones de tipo A: entrada y salida libre. La potencia nominal (BHP) no incluye las pérdidas de transmisión. El rendimiento efectivo incluye los efectos del filtro para pájaros en el flujo de aire. El nivel de ruido que se muestra corresponde a valores de intensidad sonora en sonios del ventilador a 1,5 m (5 pies) de distancia en un campo hemisférico libre según la norma 301 de AMCA. Los valores que se muestran son para instalaciones tipo A: Niveles de sonios hemisféricos de entrada libre.

Desembalaje

1. Revise si existen daños que se puedan haber producido durante el transporte.
2. Se debe presentar una queja por daños de transporte a la empresa de transporte.
3. Compruebe que ninguno de los pernos, tornillos, tornillos de fijación, etc. se haya soltado durante el transporte. Vuelva a apretarlos, según sea necesario. Gire la rueda con la mano para asegurarse de que gire libremente.

Información de Seguridad General

⚠ PELIGRO No dependa de ningún interruptor como el único medio para desconectar la energía al momento de instalar o de realizar mantenimiento al ventilador. Siempre desconecte, bloquee y etiquete la fuente de energía antes de instalar o realizar mantenimiento. Si no se desconecta la fuente de energía, se puede provocar un incendio, descargas eléctricas o lesiones graves. El motor

volverá a arrancar sin advertencia después de que se active el protector térmico. No toque el motor mientras esté en funcionamiento, podría estar lo suficientemente caliente para provocar lesiones.

⚠ PELIGRO No coloque partes del cuerpo ni objetos en el ventilador o en los orificios o transmisiones del motor mientras éste se encuentre conectado a la fuente de energía.

⚠ ADVERTENCIA No utilice este equipo en atmósferas explosivas, a menos que el motor y la desconexión sean aptos para su uso en ambientes peligrosos.

1. Lea y siga todas las instrucciones y marcas de precaución. Asegúrese de que la fuente de energía eléctrica cumpla los requisitos del equipo y los códigos locales.
2. Un técnico calificado debe realizar el montaje, la instalación y el mantenimiento de los ventiladores. Un electricista calificado debe realizar todo el trabajo eléctrico.

3. Respete todos los códigos eléctricos y de seguridad locales de los Estados Unidos y Canadá, así como también, el National Electrical Code (NEC) y la Ley de seguridad y salud ocupacionales (OSHA, por sus siglas en inglés) de los Estados Unidos. Conecte el motor a tierra de acuerdo con el Artículo 250 de NEC (conexión a tierra). Respete el Código Eléctrico Canadiense (CEC, por sus siglas en inglés) en Canadá.

⚠ PRECAUCIÓN Para reducir el riesgo de lesiones a personas, observe lo siguiente:

OSHA exige protectores que cumplan la norma de OSHA cuando el ventilador se instale a 2,1 m (7 pies) del piso o al nivel de trabajo.

Las normas UL/cUL exigen protectores que cumplan la norma de OSHA cuando el ventilador se instale a 2,4 m (8 pies) del piso o al nivel de trabajo.

Modelos 2RB59 a 2RB64, 3GY66G a 3GY71G, 3HFL6 a 3HFL9, 4YU92 a 4YU99, 4YY10 a 4YY12, 5EFH7 a 5EFH9, 5EFJ0 y 5EFJ1

Información de Seguridad General (Continuación)

- No enrosque el cable de alimentación ni permita que entre en contacto con objetos filosos, aceite, grasa, superficies calientes ni productos químicos. Reemplace inmediatamente los cables dañados.
- Asegúrese de que la fuente de energía esté en conformidad con los requisitos del equipo.
- Nunca abra la puerta de acceso a un conducto con el ventilador en funcionamiento.
- El motor debe estar conectado a tierra de manera segura y fija. Ello se puede lograr cableando con un sistema de canal de conducción blindado conectado a tierra, con un cable de conexión a tierra aparte conectado a la parte metálica desnuda del bastidor del motor u otro medio apropiado.

Instalación

ADVERTENCIA *Sólo personal calificado debe realizar la instalación, la solución de problemas y el reemplazo de partes.*

MONTAJE EN EL TECHO

NOTA: Monte la unidad con una base de montaje fija Dayton (se compra por separado).

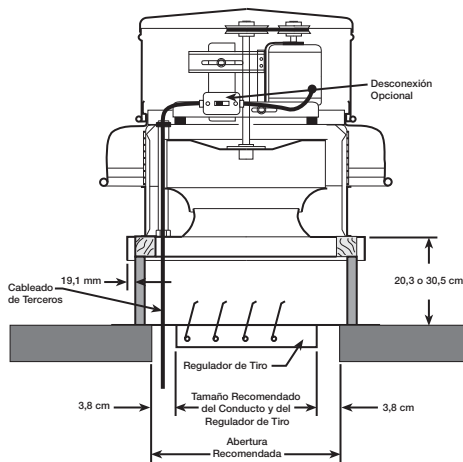


Figura 2 — Montaje en Techo Típico

- Perfore un orificio de tamaño adecuado en la superficie del techo. Siga las instrucciones de instalación del fabricante de la base de montaje. Calafatee y rebabe la base de montaje para asegurarse de que exista un sello hermético.
- Instale un regulador de contratiro opcional. Fije el reborde del regulador de tiro a la bandeja del regulador de tiro de la base de montaje.
- Retire la cubierta del motor quitando los sujetadores.

PRECAUCIÓN *No levante el ventilador por su abrazadera de izada; use una eslinga o plataforma.*

- Use orejetas para izar en el bastidor motriz para levantar y colocar la unidad encima de la base de montaje. Consulte la Figura 3.

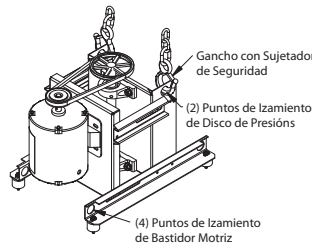


Figura 3 — Orejetas para izar en el Bastidor Motriz

- Fije el ventilador a la base de montaje de techo con un mínimo de ocho sujetadores.
- Compruebe que la rueda del ventilador gire libremente.
- Compruebe que estén apretados todos los sujetadores.
- Monte y conecte el interruptor de desconexión segura que se encuentra debajo de la cubierta del ventilador y conecte el motor según el diagrama de cableado de conexión del motor. Consulte la Figura 7 en la sección Conexión eléctrica. Conecte los interruptores de control a nivel del suelo.
- Vuelva a colocar la cubierta del motor.

MONTAJE DEL MOTOR Y DE LA POLEA

NOTA: Para las unidades que aparezcan en la lista de UL, el motor que se use con este ventilador se deberá designar como tal por Dayton.

- Fije la placa del motor con la ayuda de las piezas metálicas que se proporcionan. Los orificios se alinearán cuando el bastidor del motor (extremo del eje) esté a nivel con el borde de la placa del motor.

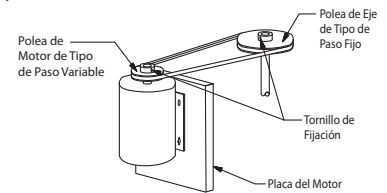


Figura 4 — Diagrama del Paquete de Accionamiento

- Monte las poleas en los ejes fijando el eje con el tornillo de fijación. Verifique la correcta alineación de las poleas. Las poleas mal alineadas provocan un desgaste excesivo de la correa, vibraciones, ruidos y pérdida del ventilador.

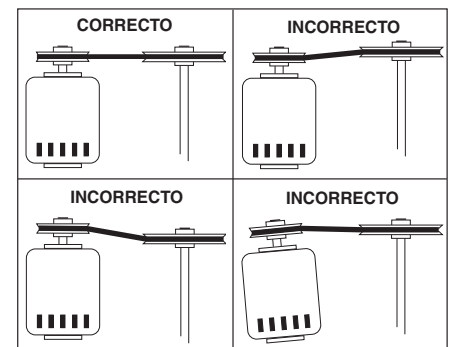


Figura 5 — Alineación de las Poleas

- Instale la correa y ajuste la tensión para permitir una deflexión de 0,4 mm (1/64 pulg.) por 2,5 cm (1 pulg.) de abertura al aplicar con el pulgar una presión moderada a la correa. Demasiada tensión provocará un desgaste excesivo de los rodamientos y ruido. Una tensión muy leve provocará deslizamiento en el arranque y un desgaste irregular.

E
S
P
A
Ñ
O
L

Extractores Centrífugos de Transmisión por Correa de Tiro Hacia Abajo Dayton®

Instalación (Continuación)

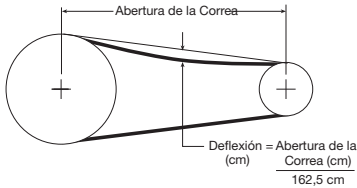


Figura 6 — Tensión de la Correa

- Ajuste las RPM en el nivel que desee con una polea de paso variable. Después del ajuste, se debe verificar el amperaje del motor para evitar su sobrecarga.

CONEXIÓN ELÉCTRICA

NOTA: Consulte la placa de identificación del motor para conocer los procedimientos de cableado. Consulte al fabricante del interruptor para obtener los procedimientos de instalación y cableado.

- El motor y el ventilador deben estar conectados a tierra de manera segura (en metal desnudo) en una conexión eléctrica a tierra adecuada, como una tubería de agua subterránea o un sistema de cable de conexión a tierra.

⚠ ADVERTENCIA *Respete todos los códigos de seguridad locales y nacionales, entre los que se encuentran el National Electrical Code (NEC) y la Ley Nacional de Protección Contra Incendios (NFPA, por sus siglas en inglés).*

NOTA: El motor y la desconexión se deben clasificar como peligrosos para su uso con ventiladores en ambientes peligrosos. La instalación la debe realizar personal calificado con un motor y desconexión correctos para la aplicación.

NOTA: Consulte la Figura 7 para conocer el diagrama de cableado de conexión.

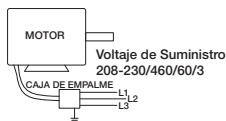
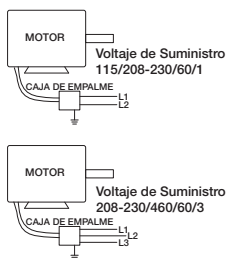


Figura 7 — Diagrama de Cableado Típico

Funcionamiento

- Antes de arrancar u operar el nuevo ventilador Dayton, compruebe que estén apretados todos los sujetadores. En particular, revise los tornillos de fijación en el buje de la rueda (y roldanas, si corresponde). Mientras se encuentre en la posición OFF (apagado), o antes de conectar el ventilador a la energía, gire la rueda del ventilador con la mano para asegurarse de que no entre en contacto con el orificio o cualquier obstáculo.
- Encienda el ventilador y apáguelo inmediatamente para revisar el giro de la rueda con la flecha direccional en el compartimiento del motor. La rueda del ventilador debe **girar en el sentido de las agujas del reloj** mirando desde la parte superior.
- Al arrancar el ventilador, observe el funcionamiento y la presencia de cualquier ruido anormal.
- Con el sistema en pleno funcionamiento y toda la red de conductos conectada, mida la entrada de corriente hacia el motor y compárela con la de la placa de identificación para determinar si el motor está funcionando bajo condiciones de carga seguras.

IMPORTANTE: Ajuste (apriete) la tensión de la correa después de las primeras 48 horas de funcionamiento.

- Mantenga las entradas y las vías de acceso al ventilador limpias y libres de obstrucción.

Mantenimiento

⚠ ADVERTENCIA *Desconecte y bloquee la fuente de energía antes de realizar mantenimiento.*

⚠ PRECAUCIÓN *La limpieza desigual de la rueda producirá una condición fuera de equilibrio que provocará vibraciones en el ventilador.*

- Mantenga las entradas y las vías de acceso al ventilador limpias y libres de obstrucción. Según el uso y la densidad del aire contaminado, se debe establecer un programa de inspección regular para limpiar la rueda del ventilador, el ventilador y las áreas circundantes.

- Cuando esté funcionando el ventilador, revise si existen ruidos anormales.
- Inspeccione de manera periódica y apriete los tornillos de fijación.
- Revise de manera periódica el desgaste y el apriete de las correas.

NOTA: Al reemplazar las correas, use unas del mismo tipo de las que se proporcionan con la unidad.

NOTA: Para el cambio de la correa, suelte el dispositivo de tensión lo suficiente para permitir el retiro manual de la correa.

⚠ ADVERTENCIA *No fuerce las correas para colocarlas o sacarlas. Ello puede causar que los cables se rompan, lo que lleva a una falla prematura de la correa.*

- La mayoría de los rodamientos del ventilador están prelubricados y no requieren lubricación adicional, revise los rodamientos.
- Siga las instrucciones del fabricante del motor para su lubricación.
- Para el desmontaje del motor o de la rueda, consulte la ilustración de las partes.
- Para aplicaciones críticas, debe tener un motor y correas de repuesto disponibles.

FRECUENCIA DE RELUBRICACIÓN RECOMENDADA EN MESES

Velocidad de Funcionamiento (RPM)	Diám. Interior en Pulgadas 1/2 a 1 1/2
Hasta 500	6
500 a 1000	6
1000 a 1500	5

NOTA: Si hay condiciones ambientales inusuales, como alta temperatura, humedad o contaminantes, se recomienda una lubricación más frecuente.

Se puede usar cualquier grasa a base de litio de buena calidad en conformidad con la consistencia grado 2 de NLGI, como las que aparecen en la presente lista.

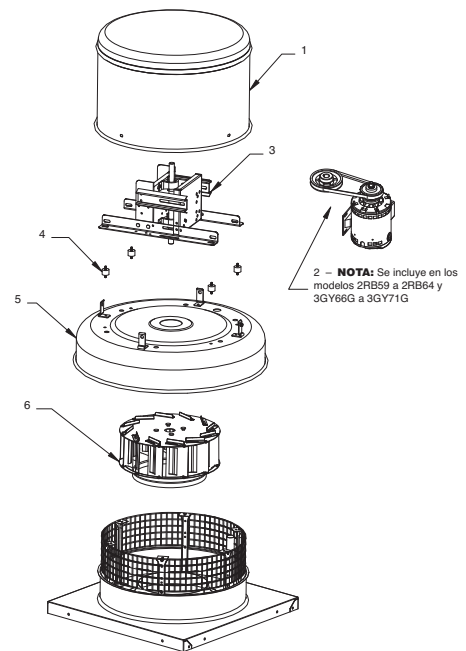
Mobil 532	Texaco Multifak N° 2
Mobilux N° 2	Texaco Premium RB
B Shell Alvania N° 2	Unirex N2

Para Obtener Repuestos, llame al 1-800-323-0620

las 24 horas del día; los 365 días del año

Por favor proporcione la siguiente información:

- Número de modelo
- Número de serie (si lo hay)
- Descripción de la parte y número que le corresponde en la liste de partes



Lista de Repuestos para Modelo sin Paquete de Accionamiento

Número de Referencia	Descripción	Número de Parte para Modelos:								Cant.
		4YU92	4YU93	4YU94	4YU95	4YU96	4YU97	4YU98	4YU99	
1	Cubierta del Motor	6366497	6366497	6366497	6366498	6366498	6366494	6366494	6366495	1
2	Paquete de Accionamiento	—	—	—	—	—	—	—	—	—
3	Conjunto de Bastidor Motriz	6366418	6366418	6366419	6366420	6366420	6366421	6366421	6366512	1
4	Juego de Aislador	6366403	6366403	6366403	6366403	6366403	6366406	6366406	6366406	1
5	Protector	6366369	6366369	6366369	6366370	6366370	6366447	6366447	6366368	1
6	Rueda	6366395	6366393	6366385	6366468	6366465	6366461	6366462	6366464	1

Número de Referencia	Descripción	Número de Parte para Modelos:								Cant.
		4YY10	4YY11	4YY12	5EFH7	5EFH8	5EFH9	5EFJ0	5EFJ1	
1	Cubierta del Motor	6366496	6366499	6366505	6366497	6366495	6366496	6366499	54E094	1
2	Paquete de Accionamiento	—	—	—	—	—	—	—	—	—
3	Conjunto de Bastidor Motriz	6366513	6366514	6366515	51E088	6366489	6366511	51E092	51E095	1
4	Juego de Aislador	6366408	6366408	6366408	6366403	6366406	6366406	6366408	6366408	1
5	Protector	6366439	6366479	6366478	51E089	51E090	51E091	51E093	51E096	1
6	Rueda	6366481	6366482	6366480	6366463	51E097	51E098	51E099	51E100	1

Lista de Repuestos para Modelo con Paquete de Accionamiento, Ensamblado

Número de Referencia	Descripción	Número de Parte para Modelos:								Cant.
		2RB59	2RB60	2RB61	2RB62	2RB63	2RB64	3GY66G	3GY67G	
1	Cubierta del Motor	6366497	6366497	6366497	6366497	6366497	6366498	6366494	6366494	1
2	Paquete de Accionamiento	—	—	—	—	—	—	—	—	—
	Motor	1AGG1	1AGG1	1AGG1	1AGG2	1AGG3	1AGG3	4YU38	4YU39	1
	Roldana Accionadora	3X274	3X274	3X274	3X274	3X264	3X264	3X263	3X264	1
	Correas	4L220	4L220	4L220	4L220	4L230	4L250	3VU43	6A139	1
	Roldana Accionada	3X779	3X779	3X779	3X888	3X779	3X786	3X845	3X791	1
3	Conjunto de Bastidor Motriz	6366418	6366418	6366418	6366418	6366418	6366420	6366421	6366509	1
4	Juego de Aislador	6366403	6366403	6366403	6366403	6366403	6366403	6366406	6366406	1
5	Protector	6366369	6366369	6366369	6366369	6366369	6366370	6366447	6366447	1
6	Rueda	50B880	50B880	6366395	6366393	6366385	6366468	6366461	6366462	1

Número de Referencia	Descripción	Número de Parte para Modelos:								Cant.
		3GY68G	3GY69G	3GY70G	3GY71G	3HFL6	3HFL7	3HFL8	3HFL9	
1	Cubierta del Motor	6366495	6366496	6366494	6366494	6366498	6366498	6366496	6366505	1
2	Paquete de Accionamiento	—	—	—	—	—	—	—	—	—
	Motor	4YU40	4YU41	4YU30	4YU31	1AGG1	1AGG3	4YU31	3RED8	1
	Roldana Accionadora	3X264	3X945	3X263	3X264	3X274	3X264	3X494	3X400	1
	Correas	6A116	1A105	3VU43	6A139	4L280	4L280	3X704	3X546*	1
	Roldana Accionada	3X795	3X805	3X845	3X791	3X592	3X591	3X609	3X571	1
	Buje Accionado	—	—	—	—	3X573	3X573	3X576	3X579	1
3	Conjunto de Bastidor Motriz	6366510	6366511	6366421	6366509	6366420	6366420	6366513	6366515	1
4	Juego de Aislador	6366406	6366408	6366406	6366406	6366403	6366403	6366408	6366408	1
5	Protector	6366368	6366439	6366447	6366447	6366370	6366370	6366439	6366478	1
6	Rueda	6366464	6366481	6366461	6366462	6366468	6366465	6366481	6366482	1

(*) El modelo 3HFL9 requiere dos correas.

Extractores Centrífugos de Transmisión por Correa de Tiro Hacia Abajo Dayton®

Tabla de Solución de Problemas

Síntoma	Causas Posibles	Medidas Correctivas
No funciona el ventilador	<ol style="list-style-type: none"> 1. Fusible o cortacircuitos quemado 2. Motor defectuoso 3. Se conectó incorrectamente 4. Correas rotas 	<ol style="list-style-type: none"> 1. Reemplácelo o repárelo 2. Reemplácelo o repárelo 3. CORTE la energía y revise que el cableado esté conectado correctamente 4. Reemplácelas
Flujo de aire insuficiente	<ol style="list-style-type: none"> 1. Conducto bloqueado o filtros obstruidos 2. Velocidad demasiado baja 3. Regulador de tiro cerrado 4. Deslizamiento de la correa 5. Giro incorrecto de la rueda 6. Secciones de conducto con adaptadores sueltos permiten la pérdida de aire 	<ol style="list-style-type: none"> 1. Límpielos o reemplácelos 2. Verifique las transmisiones correctas 3. Inspecciónelo/Repárelo 4. Reemplace/Ajuste la tensión 5. Revise el cableado del motor 6. Verifique la conexión fija donde se unen las secciones del conducto (se sugiere el uso de cinta adhesiva industrial en las líneas de unión para obtener un cierre sellado)
Ruido o vibración excesiva	<ol style="list-style-type: none"> 1. Las correas están demasiado sueltas/tensas 2. Rodamientos sueltos o defectuosos 3. Ruedas o roldanas sueltas 4. Acumulación de material en la rueda 5. Roldanas mal alineadas 6. La base del ventilador no está firmemente anclada 7. La cubierta del motor está suelta y produce ruido 8. Rueda del ventilador fuera de equilibrio 	<ol style="list-style-type: none"> 1. Ajuste la tensión 2. Reemplace los rodamientos 3. Apriete los tornillos de fijación 4. Limpíela 5. Vuelva a alinearlas 6. Fíjelo bien 7. Apriete las tuercas ciegas que fijan la cubierta del motor 8. Reemplace la rueda
Sobrecarga o sobrecalentamiento del motor	<ol style="list-style-type: none"> 1. RPM de la rueda muy altas 2. Bobinado del motor cortocircuitado 3. Giro incorrecto de la rueda 4. Voltaje de línea excesivo o deficiente 5. Deslizamiento de la correa 	<ol style="list-style-type: none"> 1. Verifique las transmisiones 2. Reemplace el motor 3. Revise el cableado del motor 4. Comuníquese con la compañía de electricidad 5. Apriete la correa

GARANTÍA LIMITADA

GARANTÍA LIMITADA DE UN AÑO DAYTON. EXTRACTORES CENTRÍFUGOS DE TRANSMISIÓN POR CORREA DE TIRO HACIA ABAJO DAYTON®, LOS MODELOS INCLUIDOS EN ESTE MANUAL, TIENEN GARANTÍA DE DAYTON ELECTRIC MFG. CO. (DAYTON) POR DEFECTOS DE FABRICACIÓN O MATERIALES DURANTE SU USO NORMAL DURANTE UN AÑO A PARTIR DE LA FECHA DE COMPRA. TODA PIEZA QUE SE DEMUESTRE QUE TENGA DEFECTOS DE MATERIAL O DE MANO DE OBRA Y SE DEVUELVA A UN LUGAR DE SERVICIO TÉCNICO AUTORIZADO, DESIGNADO POR DAYTON, COSTOS DE TRANSPORTE PREPAGADOS, SERÁ COMO RECURSO EXCLUSIVO, REPARADA O REEMPLAZADA SEGÚN EL CRITERIO DE DAYTON. POR DEMANDA DE GARANTÍA LIMITADA, VER "DISPOSICIÓN INMEDIATA" A CONTINUACIÓN. ESTA GARANTÍA LIMITADA LE DA AL COMPRADOR DERECHOS LEGALES ESPECÍFICOS QUE VARIAN DE UNA JURISDICCIÓN A OTRA.

RESTRICCIÓN DE RESPONSABILIDAD. HASTA DONDE LO PERMITA LA LEGISLACIÓN PERTINENTE, DAYTON NIEGA EXPRESAMENTE SU RESPONSABILIDAD EN DAÑOS DE INDIRECTOS O EMERGENTES. LA RESPONSABILIDAD DE DAYTON EN TODOS LOS CASOS SE LIMITA AL PRECIO DE COMPRA Y NO DEBE EXCEDER ÉSTE.

DENEGACIÓN DE GARANTÍA. SE HA HECHO UN GRAN ESFUERZO POR PROPORCIONAR INFORMACIÓN SOBRE EL PRODUCTO E ILUSTRAR LOS PRODUCTOS DE MANERA PRECISA EN ESTE DOCUMENTO; SIN EMBARGO, TAL INFORMACIÓN E ILUSTRACIONES TIENEN EL ÚNICO PROPÓSITO DE IDENTIFICACIÓN, Y NO EXPRESA NI IMPLICA UNA GARANTÍA DE QUE LOS PRODUCTOS SEAN DE BUENA CALIDAD, O QUE SE ADAPTEN E UN PROPÓSITO EN ESPECIAL, NI QUE LOS PRODUCTOS ESTÉN NECESARIAMENTE DE ACUERDO CON LAS ILUSTRACIONES O DESCRIPCIONES. CON EXCEPCIÓN DE LO QUE SE DETALLA A CONTINUACIÓN, NINGUNA GARANTÍA NI AFIRMACIÓN DE HECHO, EXPRESA O IMPLÍCITA, APARTE DE LO QUE SE INCLUYE EN LA "GARANTÍA LIMITADA" ESTÁ HECHA O AUTORIZADA POR DAYTON.

Asesoría Técnica y Recomendaciones, Exención de Responsabilidad. No obstante las prácticas, tratos o costumbre del oficio anteriores, las ventas no incluirán asesoría o asistencia técnica, o el diseño del sistema. Dayton no asume obligaciones ni responsabilidades debido a recomendaciones, opiniones o asesorías no autorizadas en cuanto a la elección, la instalación o el uso de productos.

Aptitud del Producto. Muchas jurisdicciones tienen códigos y ordenanzas que regulan las ventas, la construcción, la instalación, y/o el uso de productos para ciertos propósitos, que pueden variar con respecto a los de las áreas vecinas. Si bien se hacen intentos para garantizar que los productos Dayton cumplan tales códigos, Dayton no garantiza su cumplimiento y no puede ser responsable por la manera en que se instalan o usan los productos. Antes de la compra y del uso de un producto, revise sus aplicaciones y todos los códigos, y reglamentos nacionales y locales pertinentes, y asegúrese de que el producto, su instalación y su uso estén en conformidad con ellos.

Ciertos aspectos de la denegación no se aplican a productos del consumidor; por ej., (a) algunas jurisdicciones no permiten la exclusión o la limitación de daños accidentales o resultantes, por lo que la limitación o exclusión mencionadas anteriormente, pueden no aplicarse a usted; (b) además, algunas jurisdicciones no permiten una limitación sobre la duración de una garantía implícita, en consecuencia, la limitación mencionada anteriormente puede no aplicarse a usted; y (c) por ley, durante el periodo de esta Garantía Limitada, cualquier garantía implícita de comerciabilidad o aptitud para un propósito en particular que se aplique a productos del consumidor adquiridos por consumidores, no puede ser excluida ni rechazada.

Disposición Inmediata. Se realizará un esfuerzo de buena fe para corregir o realizar otros ajustes de manera oportuna con respecto a cualquier producto que se demuestre que tenga defectos dentro de la garantía limitada. En caso de existir un producto con fallas dentro de la garantía limitada, escriba o llame al distribuidor a quien le compró el producto. Este le indicará qué hacer. Si el problema no se resuelve de manera satisfactoria, escriba a Dayton a la dirección que figura a continuación, indicando nombre del distribuidor, dirección, fecha y número de la factura del distribuidor, y describa la naturaleza de la falla. Título y riesgo de pérdida pasan al comprador en la entrega a la compañía de transporte. Si el producto se dañó durante el transporte, presente el reclamo al transportista.

Fabricado por Dayton Electric Mfg. Co., 5959 W. Howard St., Niles, Illinois 60714 EE.UU.

Fabricado por Dayton Electric Mfg. Co.
Niles, Illinois 60714 EE.UU.

Dayton®

Veillez lire et conserver ces instructions. Lisez avec attention avant d'essayer d'assembler, d'installer, d'utiliser ou d'entretenir le produit décrit. Pour votre protection et celle des autres, respectez toutes les informations de sécurité. Toute infraction à ces instructions peut provoquer des blessures corporelles et des dommages matériels ! Conservez ces instructions pour consultation ultérieure.

Tourelles d'extraction à jet descendant centrifuges à courroie de Dayton®

Description

Les tourelles Dayton sont conçues pour l'extraction en continu de l'air ambiant propre et vicié et des odeurs. Elles s'utilisent généralement sur un réseau de gaines de longueur moyenne et/ou de résistance moyenne. Elles résistent à des températures jusqu'à 82°C (180°F). Ces tourelles à l'épreuve des intempéries comportent des caissons en aluminium épais à ossature interne rigide, une embase en aluminium repoussé, une grille pour oiseaux et un bâti de moteur en acier. Toutes les tourelles sont homologuées UL/cUL, norme 705.

Les moteurs sont montés hors du courant de décharge dans une chambre à refroidissement forcé alimentée par de l'air aspiré sous le capot du moteur.

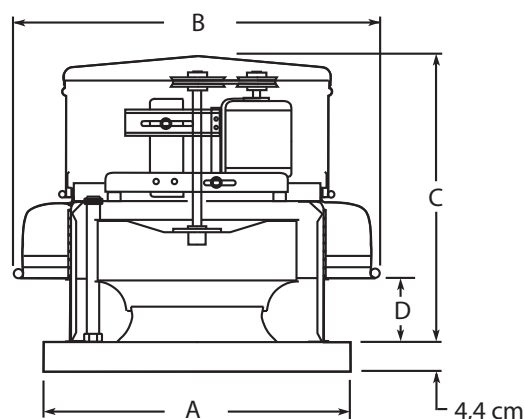


Figure 1 — Dimensions



Accessoires en option

Description	Général ou UL 705 N° de modèle
Sectionneur NEMA 1 :	
	1H400 (bipolaire, 2 HP maxi)
	1H401 (tripolaire, 7 1/2 HP maxi)
Registre :	4HX64-4HX71
Costière fixe 30,5 cm (12 po) :	2RB75-2RB83, 5EFJ2, 5EFJ3
Costière régl. 30,5 cm (12 po) :	2ZV82-2ZV85, 2ZV87
Adaptateurs de costière :	3AZK1-3AZK9, 3AZL1-3AZL3
Charnières :	4HX79, 4YY84-4YY86

AVERTISSEMENT Ne pas utiliser dans une application d'extraction de cuisine.



Dayton Electric Mfg. Co. certifie que les ventilateurs décrits aux présentes sont autorisés à porter le sceau de l'AMCA. Les caractéristiques indiquées ici reposent sur des essais et procédures effectués conformément à la Publication 211 et à la Publication 311 de l'AMCA et répondent aux exigences du programme de certification des caractéristiques de l'AMCA.

Dimensions et caractéristiques (voir Figure 1)

Modèle sans syst. d'entraînement	Modèle avec système d'entraînement, assemblé	Dia. turbine	Dia. arbre	A	B	C	D	Ouverture de toiture conseillée	Taille de registre conseillée
4YU92	2RB59, 2RB60, 2RB61	27,9 cm	19,1 mm	48,3 cm	61,9 cm	63,2 cm	11,1 cm	36,8 x 36,8 cm	30,5 x 30,5 cm
4YU93	2RB62	27,9	19,1	55,9	61,9	63,2	11,1	44,5 x 44,5	38,1 x 38,1
4YU94	2RB63	33,7	19,1	55,9	61,9	63,2	11,1	44,5 x 44,5	38,1 x 38,1
5EFH7	—	34,9	19,1	55,9	72,1	64,5	10,2	44,5 x 44,5	38,1 x 38,1
4YU95	2RB64, 3HFL6	37,5	19,1	66,0	72,1	64,5	10,2	54,6 x 54,6	48,3 x 48,3
4YU96	3HFL7	42,5	19,1	66,0	72,1	69,2	10,2	54,6 x 54,6	48,3 x 48,3
4YU97	3GY70G, 3GY66G	47,0	19,1	76,2	90,2	87,3	14,0	64,8 x 64,8	58,4 x 58,4
4YU98	3GY71G, 3GY67G	54,6	19,1	76,2	90,2	87,3	14,0	64,8 x 64,8	58,4 x 58,4
5EFH8	—	57,2	25,4	86,4	108,6	97,5	14,6	74,9 x 74,9	68,6 x 68,6
4YU99	3GY68G	62,2	25,4	86,4	108,6	97,5	14,6	74,9 x 74,9	68,6 x 68,6
5EFH9	—	67,3	25,4	101,6	127,0	91,4	21,0	74,9 x 74,9	68,6 x 68,6
4YY10	3GY69G, 3HFL8	77,5	25,4	106,7	127,0	91,4	21,0	95,3 x 95,3	88,9 x 88,9
5EFJ0	—	85,1	31,8	116,8	149,2	97,8	22,5	105,4 x 105,4	99,1 x 99,1
4YY11	3HFL9	91,4	31,8	116,8	149,2	97,8	14,9	105,4 x 105,4	99,1 x 99,1
5EFJ1	—	106,7	31,8	132,1	165,7	111,8	24,8	105,4 x 105,4	99,1 x 99,1
4YY12	—	127,0	31,8	162,6	210,8	128,9	36,8	133,4 x 133,4	127,0 x 127,0

Tourelles d'extraction à jet descendant centrifuges à courroie de Dayton®

Performances sans système d'entraînement

Modèle	Dia. turbine	HP	Hélice tr/min	BHP maxi	Sones à 0,250 SP	Débit d'air (pi ³ /min) à la pression statique indiquée									
						0,000"	0,125"	0,250"	0,375"	0,500"	0,750"	1,000"	1,250"	1,500"	
4YU92	27,9 cm	1/6	1401	0,14	10,0	1062	991	920	846	767	567	—	—	—	
		1/4	1710	0,25	13,2	1296	1238	1180	1122	1062	934	785	—	—	
4YU93	27,9	1/4	1635	0,25	10,4	1386	1326	1269	1215	1162	1020	793	—	—	
		1/3	1800	0,33	12,5	1526	1471	1419	1368	1321	1209	1065	793	—	
4YU94	33,7	1/4	1395	0,26	12,3	1692	1625	1557	1484	1404	1214	907	—	—	
		1/3	1550	0,36	14,3	1880	1820	1759	1696	1629	1475	1289	974	—	
		1/2	1725	0,50	17,0	2093	2038	1984	1928	1871	1743	1600	1426	1180	
5EFH7	34,9	1/4	1315	0,26	12,5	1866	1794	1718	1637	1545	1305	—	—	—	
		1/3	1440	0,35	15,1	2044	1978	1911	1838	1759	1571	1299	—	—	
		1/2	1685	0,56	16,3	2391	2335	2279	2219	2158	2020	1857	1654	1312	
4YU95	37,5	1/4	1075	0,26	9,4	1994	1882	1771	1647	1490	—	—	—	—	
		1/3	1170	0,34	10,8	2170	2067	1966	1859	1734	1356	—	—	—	
		1/2	1360	0,53	13,9	2523	2433	2347	2259	2166	1943	1602	—	—	
		3/4	1545	0,78	17,4	2866	2787	2710	2634	2556	2384	2177	1890	—	
		1	1705	1,05	20	3163	3091	3020	2952	2883	2739	2574	2370	2120	
4YU96	42,5	1/4	865	0,26	9,7	2555	2360	2162	1933	1624	—	—	—	—	
		1/3	945	0,34	11,5	2791	2612	2434	2236	2010	—	—	—	—	
		1/2	1100	0,53	14,1	3249	3095	2943	2787	2615	2198	—	—	—	
		3/4	1250	0,79	17,0	3692	3557	3422	3289	3149	2838	2444	—	—	
		1	1375	1,05	19,6	4062	3938	3815	3694	3571	3304	3007	2609	2073	
4YU97	47,0	1/4	730	0,26	7,2	2839	2668	2469	2213	1822	—	—	—	—	
		1/3	810	0,35	8,7	3150	2997	2832	2624	2375	—	—	—	—	
		1/2	940	0,54	12,0	3655	3527	3388	3234	3052	2601	—	—	—	
		3/4	1055	0,77	14,9	4102	3990	3867	3742	3596	3252	2811	—	—	
		1	1185	1,10	17,8	4608	4508	4401	4290	4179	3900	3575	3178	2499	
		1½	1335	1,57	21	5191	5102	5010	4913	4814	4599	4344	4052	3713	
		2	1460	2,05	24	5677	5596	5514	5425	5336	5155	4938	4699	4426	
4YU98	54,6	1/4	600	0,26	7,3	3320	2984	2637	2089	—	—	—	—	—	
		1/3	665	0,35	8,5	3680	3378	3085	2706	2087	—	—	—	—	
		1/2	770	0,55	10,7	4261	4013	3744	3477	3141	—	—	—	—	
		3/4	860	0,77	12,9	4759	4548	4289	4068	3811	3085	—	—	—	
		1	965	1,09	15,4	5340	5158	4927	4720	4520	4015	3240	—	—	
		1½	1090	1,56	18,9	6032	5870	5682	5473	5301	4925	4450	3751	—	
		2	1200	2,09	23	6640	6494	6336	6145	5969	5651	5274	4829	4177	
5EFH8	57,2	1/4	500	0,26	7,9	3799	3512	3132	2542	—	—	—	—	—	
		1/3	550	0,35	8,9	4179	3924	3629	3158	2526	—	—	—	—	
		1/2	640	0,55	12,1	4863	4654	4403	4120	3702	—	—	—	—	
		3/4	710	0,75	14,4	5395	5206	4990	4762	4459	3633	—	—	—	
		1	800	1,07	16,1	6079	5911	5732	5530	5326	4716	3929	—	—	
		1½	895	1,50	18,8	6801	6651	6501	6323	6142	5723	5122	4401	—	
		2	985	2,00	23	7485	7349	7212	7062	6898	6568	6107	5548	4883	

Valeurs certifiées pour une installation de type A : admission libre, refoulement libre. La valeur de puissance (BHP) ne comprend pas les pertes de transmission. Les valeurs indiquées tiennent compte des effets d'une grille pour oiseaux dans le flux d'air. Les données acoustiques indiquées sont des valeurs de sonie exprimées en sones ventilateur à 1,5 m (5 pieds) en champ libre hémisphérique calculés selon la norme AMCA 301. Valeurs indiquées pour une installation de type A : niveaux de sonie hémisphérique à l'admission libre.

Modèles 2RB59 à 2RB64, 3GY66G à 3GY71G, 3HFL6 à 3HFL9, 4YU92 à 4YU99, 4YY10 à 4YY12, 5EFH7 à 5EFH9, 5EFJ0 et 5EFJ1

Performances sans système d'entraînement (suite)

Modèle	Dia. turbine	HP	Hélice tr/min	BHP maxi	Sones à 0,250 SP	Débit d'air (pi ³ /min) à la pression statique indiquée									
						0,000"	0,125"	0,250"	0,375"	0,500"	0,750"	1,000"	1,250"	1,500"	
4YU99	62,2 cm	1/4	460	0,26	5,7	4223	3785	3188	2036	—	—	—	—	—	
		1/3	505	0,35	6,9	4637	4242	3761	3060	—	—	—	—	—	
		1/2	585	0,55	9,1	5371	5031	4666	4195	3562	—	—	—	—	
		3/4	660	0,79	11,8	6060	5757	5449	5094	4636	3217	—	—	—	
		1	730	1,06	14,3	6702	6428	6158	5861	5507	4568	—	—	—	
		1½	825	1,54	17,7	7575	7332	7092	6844	6574	5901	5002	—	—	
		2	910	2,06	21	8355	8135	7916	7700	7467	6933	6240	5388	3707	
		3	910	2,06	21	8355	8135	7916	7700	7467	6933	6240	5388	3707	
5EFH9	67,3	1/2	465	0,54	10,4	6005	5570	5063	4484	3745	—	—	—	—	
		3/4	520	0,75	11,3	6716	6324	5898	5413	4869	3008	—	—	—	
		1	580	1,04	13,0	7491	7137	6775	6363	5912	4826	—	—	—	
		1½	665	1,57	15,8	8588	8278	7979	7637	7274	6474	5465	3608	—	
		2	735	2,13	18,3	9493	9212	8938	8652	8335	7649	6878	5916	4236	
		3	835	3,12	22	10.784	10.537	10.292	10.055	9794	9225	8606	7932	7157	
4YY10	77,5	1/3	365	0,35	5,7	5912	5222	4340	—	—	—	—	—	—	
		1/2	420	0,53	7,0	6803	6222	5537	4641	—	—	—	—	—	
		3/4	475	0,77	9,6	7694	7197	6616	5955	5095	—	—	—	—	
		1	530	1,07	12,2	8585	8150	7640	7094	6456	4195	—	—	—	
		1½	600	1,55	14,9	9719	9334	8907	8446	7952	6721	—	—	—	
		2	665	2,11	17,7	10.772	10.425	10.060	9648	9228	8269	7025	—	—	
		3	760	3,15	21	12.311	12.007	11.704	11.357	10.997	10.242	9369	8293	6437	
		5	890	5,09	28	14.416	14.157	13.898	13.639	13.335	12.716	12.073	11.379	10.536	
5EFJ0	85,1	1	415	1,07	11,3	10.024	9401	8713	7927	7050	—	—	—	—	
		1½	465	1,51	14,0	11.232	10.683	10.087	9425	8706	6966	—	—	—	
		2	510	2,00	16,6	12.319	11.824	11.294	10.719	10.085	8696	6472	—	—	
		3	590	3,09	21	14.251	13.825	13.376	12.908	12.408	11.307	10.081	8536	—	
		5	700	5,17	27	16.908	16.549	16.185	14.987	15.408	14.564	13.624	12.640	11.538	
4YY11	91,4	1/2	325	0,56	6,8	8693	7830	6756	5001	—	—	—	—	—	
		3/4	365	0,79	8,9	9763	9024	8109	7013	—	—	—	—	—	
		1	410	1,12	11,9	10.966	10.330	9558	8686	7641	—	—	—	—	
		1½	460	1,59	14,8	12.304	11.737	11.085	10.360	9568	7096	—	—	—	
		2	505	2,09	17,3	13.507	12.991	12.431	11.795	11.096	9473	—	—	—	
		3	580	3,18	22	15.513	15.064	14.614	14.077	13.523	12.289	10.813	—	—	
		5	685	5,23	29	18.322	17.941	17.560	17.179	16.711	15.774	14.710	13.535	12.119	
5EFJ1	106,7	3	435	3,00	17,8	17.925	17.264	16.540	15.792	14.790	12.502	—	—	—	
		5	515	4,98	23	21.222	20.663	20.081	19.459	18.826	17.162	15.254	12.312	—	
		7½	600	7,87	30	24.725	24.245	23.765	23.243	22.709	21.621	20.104	18.585	16.590	
4YY12	127,0	1	214	1,04	8,7	17.245	14.939	12.242	—	—	—	—	—	—	
		1½	245	1,54	11,0	19.743	17.749	15.481	12.983	—	—	—	—	—	
		2	269	2,08	13,2	21.677	19.873	17.857	15.752	—	—	—	—	—	
		3	308	2,96	16,9	24.820	23.263	21.627	19.752	17.903	—	—	—	—	
		5	366	4,99	21	29.494	28.188	26.834	25.429	23.831	20.688	—	—	—	
		7½	419	7,78	27	33.764	32.624	31.467	30.265	29.015	26.276	23.486	—	—	
		10	460	10,26	32	37.068	36.030	34.991	33.900	32.805	30.342	27.917	—	—	

Valeurs certifiées pour une installation de type A : admission libre, refoulement libre. La valeur de puissance (BHP) ne comprend pas les pertes de transmission. Les valeurs indiquées tiennent compte des effets d'une grille pour oiseaux dans le flux d'air. Les données acoustiques indiquées sont des valeurs de sonie exprimées en sones ventilateur à 1,5 m (5 pieds) en champ libre hémisphérique calculés selon la norme AMCA 301. Valeurs indiquées pour une installation de type A : niveaux de sonie hémisphérique à l'admission libre.

Tourelles d'extraction à jet descendant centrifuges à courroie de Dayton®

Performances avec système d'entraînement, assemblé

Modèle	Dia. turbine	HP	Hélice tr/min	BHP maxi	Sones à 0,250 SP	Débit d'air (pi ³ /min) à la pression statique indiquée								
						0,000"	0,125"	0,250"	0,375"	0,500"	0,750"	1,000"	1,250"	1,500"
MONOPHASÉ, 115/208-230														
2RB59	27,9 cm	1/4	1710	0,13	11,0	373	353	335	312	292	246	198	—	—
2RB60	27,9	1/4	1710	0,19	12,1	856	821	785	748	710	630	511	—	—
2RB61	27,9	1/4	1710	0,25	13,2	1296	1238	1180	1122	1062	934	785	—	—
2RB62	27,9	1/3	1800	0,33	12,5	1526	1471	1419	1368	1321	1209	1065	793	—
2RB63	33,7	1/2	1725	0,50	17,0	2093	2038	1984	1928	1871	1743	1600	1426	1180
3HFL6	36,2	1/4	1075	0,26	9,4	1994	1882	1771	1647	1490	—	—	—	—
2RB64	36,2	1/2	1360	0,53	13,9	2523	2433	2347	2259	2166	1943	1602	—	—
3HFL7	42,5	1/2	1100	0,53	14,1	3249	3095	2943	2787	2615	2198	—	—	—
3GY70G	47,0	1	1185	1,10	17,8	4608	4508	4401	4290	4179	3900	3575	3178	2499
3GY71G	54,6	1½	1090	1,56	18,9	6032	5870	5682	5473	5301	4925	4450	3751	—
3HFL8	77,5	1½	600	1,55	14,9	9719	9334	8907	8446	7952	7388	6721	5743	—
TRIPHASÉ, 208-230/460														
3GY66G	47,0	1	1185	1,10	17,8	4608	4508	4401	4290	4179	3900	3575	3178	2499
3GY67G	54,6	1½	1090	1,56	18,9	6032	5870	5682	5473	5301	4925	4450	3751	—
3GY68G	62,2	2	910	2,06	21	8355	8135	7916	7700	7467	6933	6240	5388	3707
3GY69G	77,5	3	760	3,15	21	12.311	12.007	11.704	11.357	10.997	10.242	9369	8293	6437
3HFL9	91,4	5	685	5,23	29	18.322	17.941	17.560	17.179	16.711	15.774	14.710	13.535	12.119

Valeurs certifiées pour une installation de type A : admission libre, refoulement libre. La valeur de puissance (BHP) ne comprend pas les pertes de transmission. Les valeurs indiquées tiennent compte des effets d'une grille pour oiseaux dans le flux d'air. Les données acoustiques indiquées sont des valeurs de sonie exprimées en sones ventilateur à 1,5 m (5 pieds) en champ libre hémisphérique calculés selon la norme AMCA 301. Valeurs indiquées pour une installation de type A : niveaux de sonie hémisphérique à l'admission libre.

Déballage

- Vérifier l'absence de tout dommage éventuellement causé par le transport.
- Les réclamations pour dommages dus au transport sont à adresser au transporteur.
- Vérifier que les boulons, vis, vis de calage, etc. ne se sont pas desserrés durant le transport. Resserrer le cas échéant. Actionner la turbine à la main pour s'assurer qu'elle tourne librement.

Informations générales sur la sécurité

⚠ DANGER *Ne pas dépendre d'un interrupteur comme unique moyen de coupure de l'alimentation lors de l'installation ou de l'entretien de l'appareil. Pour écarter les risques d'incendie, de choc électrique ou de blessure grave, veiller à toujours débrancher, verrouiller et étiqueter la source de courant avant l'installation ou l'entretien. Le moteur redémarre sans avertir après déclenchement de la protection thermique. Ne pas toucher le*

moteur en marche, il peut être assez chaud pour causer des lésions.

⚠ DANGER *Ne pas placer de parties du corps ni d'objets dans les ouvertures du ventilateur, du moteur ou de l'entraînement si l'appareil est raccordé à une source de courant.*

⚠ AVERTISSEMENT *Ne pas utiliser ce matériel dans des atmosphères explosives sauf si le moteur et le sectionneur sont conçus pour les milieux dangereux.*

- Lire et respecter toutes les instructions et marques de mise en garde. S'assurer que la source d'alimentation est conforme aux exigences pour le matériel et à la réglementation en vigueur.
- Les tourelles doivent être assemblées, posées et entretenues par un technicien qualifié. Confier tous les travaux d'électricité à un électricien qualifié.

- Respecter tous les codes d'électricité et de sécurité en vigueur aux États-Unis et au Canada, ainsi que le National Electrical Code (NEC) et l'Occupational Safety and Health Act (OSHA) aux États-Unis. Mettre le moteur à la terre conformément à l'Article 250 (mise à la terre) du NEC. Au Canada, respecter le Code canadien de l'électricité.

⚠ ATTENTION *Pour réduire le risque de blessure corporelle, respecter ce qui suit :*

L'OSHA exige des protections agréées OSHA lorsque l'appareil est posé à moins de 7 pieds (2,1 m) du niveau du sol ou de travail.

Les normes UL/cUL exigent des protections agréées OSHA lorsque l'appareil est posé à moins de 2,4 m (8 pieds) du niveau du sol ou de travail.

- Ne pas plier le câble d'alimentation ni le laisser venir au contact d'objets coupants, d'huile, de graisse, de surfaces chaudes ou de produits chimiques. Changer immédiatement tout cordon endommagé.

Modèles 2RB59 à 2RB64, 3GY66G à 3GY71G, 3HFL6 à 3HFL9, 4YU92 à 4YU99, 4YY10 à 4YY12, 5EFH7 à 5EFH9, 5EFJ0 et 5EFJ1

Informations générales sur la sécurité (suite)

- S'assurer que la source d'alimentation est conforme aux exigences pour le matériel.
- Ne jamais ouvrir le capot d'accès d'une gaine alors que le ventilateur est en marche.
- Le moteur doit être correctement et solidement relié à la terre. Pour cela, le raccorder à un chemin de câble à revêtement métallique relié à la terre au moyen d'un fil de terre séparé raccordé au métal nu de la carcasse du moteur, ou autre moyen adapté.

Pose

AVERTISSEMENT La pose, le dépannage et le remplacement de pièces doivent être effectués exclusivement par du personnel qualifié.

POSE EN TOITURE

REMARQUE : Poser l'appareil avec une costière Dayton (vendue séparément).

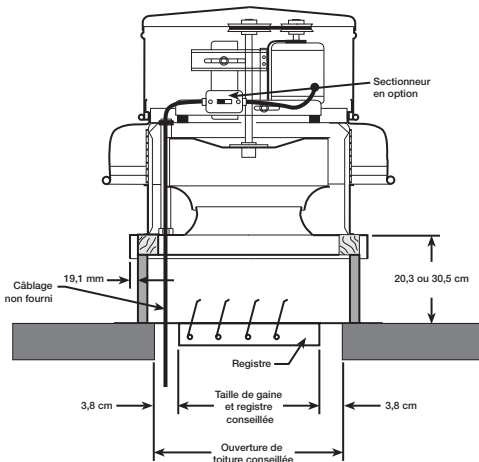


Figure 2 — Pose en toiture typique

- Découper une ouverture de taille adaptée dans la surface du toit. Suivre les instructions de pose du fabricant de costière. Effectuer le calfatage et l'abergement de la costière pour assurer l'étanchéité à l'eau.

- Poser le registre antirefoulement en option. Fixer la bride du registre au plateau de registre de la costière.
- Déposer le capot moteur en déposant préalablement sa visserie.

ATTENTION Ne pas soulever la tourelle par sa virole, utiliser une élingue ou un plateau.

- Utiliser les oreilles de levage sur le bâti du moteur pour soulever et poser l'appareil sur la costière. Voir la Figure 3.

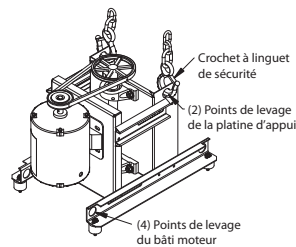


Figure 3 — Oreilles de levage sur le bâti

- Fixer la tourelle à la costière avec un minimum de huit vis.
- Vérifier que la turbine tourne librement.
- Vérifier le bon serrage de toute la visserie.
- Poser et câbler le sectionneur de sécurité sous le capot de ventilateur et câbler le moteur conformément au schéma de câblage sur le moteur. Voir Raccordement électrique, Figure 7. Câbler les commutateurs de commande au niveau du sol.
- Remettre le capot de moteur en place.

POSE DU MOTEUR ET DES POULIES

REMARQUE : Pour les appareils homologués UL, le moteur utilisé doit être désigné comme tel par Dayton.

- Fixer le platine de moteur avec la visserie fournie. Les trous s'alignent lorsque la carcasse du moteur (côté arbre) est au ras du rebord de la platine.

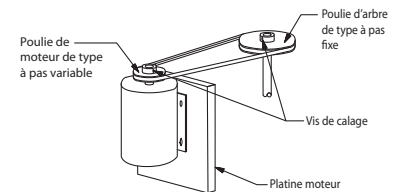


Figure 4 — Schéma de l'entraînement

- Poser les poulies sur les arbres en les attachant avec une vis de calage. Contrôler le bon alignement des poulies. Le mauvais alignement des poulies provoque l'usure de la courroie, des vibrations, du bruit et une perte de soufflage.

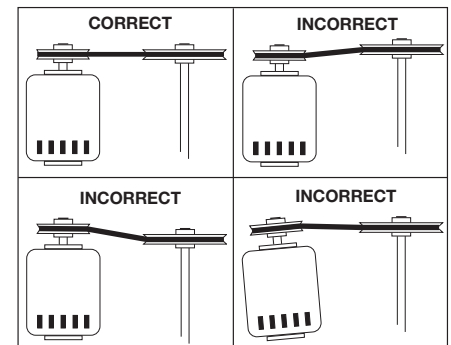


Figure 5 — Alignement des poulies

- Poser la courroie et régler la tension de manière à permettre un fléchissement de 0,4 mm (1/64 po) par 2,5 cm (1 po) de portée lorsqu'une pression modérée du pouce est exercée sur la courroie. Une tension excessive provoque une usure prématurée des roulements et du bruit. Une tension insuffisante produit un patinage au démarrage et une usure irrégulière.

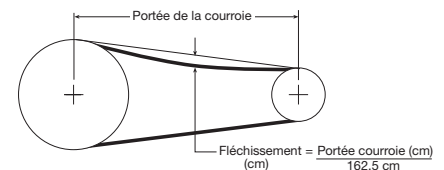


Figure 6 — Tension de la courroie

FRANÇAIS

Tourelles d'extraction à jet descendant centrifuges à courroie de Dayton®

Pose (suite)

- Ajuster la vitesse de rotation à l'aide d'une poulie à pas variable. Après ce réglage, vérifier l'intensité consommée par le moteur pour éviter sa surcharge.

RACCORDEMENT ÉLECTRIQUE

REMARQUE : Voir le câblage sur la plaque signalétique du moteur. Se reporter aux procédures de pose et de câblage du fabricant de commutateur.

- Le moteur et la tourelle doivent être solidement reliés à la terre (métal nu) via une masse électrique adaptée, telle qu'une conduite d'eau reliée à la terre ou un circuit de terre.

AVERTISSEMENT *Respecter tous les codes de sécurité en vigueur, notamment le National Electrical Code (NEC) et le National Fire Protection Act (NFPA).*

REMARQUE : Le moteur et le sectionneur doivent être classés « milieux dangereux » pour que la tourelle soit utilisable dans des milieux dangereux. La pose doit être effectuée par du personnel qualifié, avec un moteur et un sectionneur adaptés pour l'application considérée.

REMARQUE : Voir le schéma de câblage à la Figure 7.

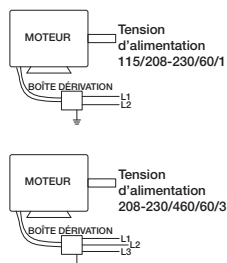


Figure 7 — Schéma de câblage typique

Fonctionnement

- Avant de démarrer et d'utiliser le nouveau ventilateur Dayton, vérifier le bon serrage de toute la visserie. En particulier, contrôler les vis de calage du moyeu de turbine (et des poulies, le cas échéant). En position ARRÊT, ou avant de brancher l'alimentation de l'appareil, tourner la turbine à la main pour s'assurer qu'elle ne heurte aucun orifice ou obstruction.
- Démarrer la tourelle et l'arrêter immédiatement pour vérifier que le sens de rotation de la turbine correspond à la flèche dans le compartiment du moteur. La turbine doit tourner *dans le sens des aiguilles d'une montre* lorsqu'elle est vue par le dessus.
- Lorsque le ventilateur est en marche, observer son fonctionnement et vérifier l'absence de bruits inhabituels.
- Le système étant en marche avec toutes les gaines posées, mesurer l'intensité de courant vers le moteur et la comparer à l'intensité nominale figurant sur la plaque signalétique pour vérifier si le moteur fonctionne dans des conditions de charge admissibles.

IMPORTANT : Ajuster (tendre) la courroie au bout des premières 48 heures de marche.

- Garder les ouvertures d'admission et les approches vers la tourelle propres et non obstruées.

Entretien

AVERTISSEMENT *Couper et verrouiller la source d'alimentation avant l'entretien.*

ATTENTION *Un nettoyage irrégulier de la turbine produit un déséquilibre qui provoque des vibrations dans la tourelle.*

- Garder les ouvertures d'admission et les approches vers la tourelle propres et non obstruées. En fonction de l'utilisation et du degré de saleté de l'air, il convient d'établir un contrôle à intervalles réguliers pour le nettoyage de la turbine, de la tourelle et des surfaces avoisinantes.

- Vérifier l'absence de bruits inhabituels durant la marche du ventilateur.
- Contrôler régulièrement et resserrer toute la visserie.
- Contrôler régulièrement l'état d'usure et la tension de la courroie.

REMARQUE : Lors du changement de courroie, toujours utiliser le même type que celui fourni avec l'appareil.

REMARQUE : Pour changer la courroie, desserrer le dispositif tendeur suffisamment pour permettre la dépose de la courroie à la main.

AVERTISSEMENT *Ne pas forcer sur la courroie pour la poser ou la déposer. Ceci peut causer des ruptures d'armature et une défaillance prématurée de la courroie.*

- La majorité des paliers des tourelles sont prélubrifiés et ne nécessitent aucun graissage ultérieur ; contrôler les paliers.
- Suivre les instructions du fabricant du moteur concernant sa lubrification.
- Pour démonter le moteur ou la turbine, consulter l'illustration des pièces.
- Pour les applications critiques, avoir un moteur et des courroies de rechange à disposition.

FRÉQUENCE DE GRAISSAGE CONSEILLÉE EN MOIS

Vitesse d'exploitation (tr/min)	Alésage en pouces 1/2 à 1 1/2
Jusqu'à 500	6
500 à 1000	6
1500 à 1000	5

REMARQUE : En présence de conditions ambiantes inhabituelles - haute température, humidité ou contaminants - un graissage plus fréquent est conseillé.

Utiliser toute graisse à base de lithium de bonne qualité de consistance conforme à NLGI Grade 2, telle que celles indiquées ici.

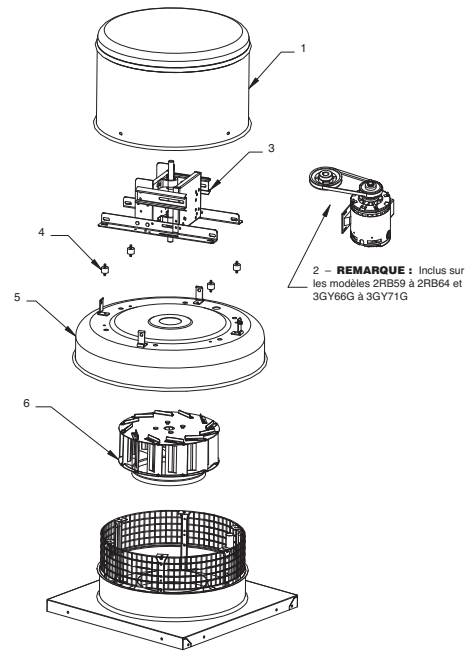
Mobil 532	Texaco Multifak #2
Mobilux #2	Texaco Premium RB
B Shell Alvania #2	Unirex N2

Pour les pièces de rechange, appeler le 1-800-323-0620

24 h/24 – 365 jours par an

Veuillez fournir les renseignements suivants :

- Numéro de modèle
- Numéro de série (le cas échéant)
- Description et numéro de pièce indiqués sur la nomenclature des pièces



Nomenclature des pièces de rechange sans système d'entraînement

Numéro de référence	Description	Numéro de pièce pour le modèle :								Qté
		4YU92	4YU93	4YU94	4YU95	4YU96	4YU97	4YU98	4YU99	
1	Capot de moteur	6366497	6366497	6366497	6366498	6366498	6366494	6366494	6366495	1
2	Entraînement	—	—	—	—	—	—	—	—	—
3	Bâti de moteur	6366418	6366418	6366419	6366420	6366420	6366421	6366421	6366512	1
4	Nécessaire isolement	6366403	6366403	6366403	6366403	6366403	6366406	6366406	6366406	1
5	Coiffe	6366369	6366369	6366369	6366370	6366370	6366447	6366447	6366368	1
6	Turbine	6366395	6366393	6366385	6366468	6366465	6366461	6366462	6366464	1

Numéro de référence	Description	Numéro de pièce pour le modèle :								Qté
		4YY10	4YY11	4YY12	5EFH7	5EFH8	5EFH9	5EFJ0	5EFJ1	
1	Capot de moteur	6366496	6366499	6366505	6366497	6366495	6366496	6366499	51E094	1
2	Entraînement	—	—	—	—	—	—	—	—	—
3	Bâti de moteur	6366513	6366514	6366515	51E088	6366489	6366511	51E092	51E095	1
4	Nécessaire isolement	6366408	6366408	6366408	6366403	6366406	6366406	6366408	6366408	1
5	Coiffe	6366439	6366479	6366478	51E089	51E090	51E091	51E093	51E096	1
6	Turbine	6366481	6366482	6366480	6366463	51E097	51E098	51E099	51E100	1

Nomenclature des pièces de rechange avec système d'entraînement, assemblé

Numéro de référence	Description	Numéro de pièce pour le modèle :							Qté	
		2RB59	2RB60	2RB61	2RB62	2RB63	2RB64	3GY66G		3GY67G
1	Capot de moteur	6366497	6366497	6366497	6366497	6366497	6366498	6366494	6366494	1
2	Entraînement	—	—	—	—	—	—	—	—	—
	Moteur	1AGG1	1AGG1	1AGG1	1AGG2	1AGG3	1AGG3	4YU38	4YU39	1
	Poulie moteur	3X274	3X274	3X274	3X274	3X264	3X264	3X263	3X264	1
	Courroie	4L220	4L220	4L220	4L220	4L230	4L250	3VU43	6A139	1
	Poulie menée	3X779	3X779	3X779	3X888	3X779	3X786	3X845	3X791	1
3	Bâti de moteur	6366418	6366418	6366418	6366418	6366418	6366420	6366421	6366509	1
4	Nécessaire isolement	6366403	6366403	6366403	6366403	6366403	6366403	6366406	6366406	1
5	Coiffe	6366369	6366369	6366369	6366369	6366369	6366370	6366447	6366447	1
6	Turbine	50B880	50B880	6366395	6366393	6366385	6366468	6366461	6366462	1

Numéro de référence	Description	Numéro de pièce pour le modèle :							Qté	
		3GY68G	3GY69G	3GY70G	3GY71G	3HFL6	3HFL7	3HFL8		3HFL9
1	Capot de moteur	6366495	6366496	6366494	6366494	6366498	6366498	6366496	6366505	1
2	Entraînement	—	—	—	—	—	—	—	—	—
	Moteur	4YU40	4YU41	4YU30	4YU31	1AGG1	1AGG3	4YU31	3RED8	1
	Poulie moteur	3X264	3X945	3X263	3X264	3X274	3X264	3X494	3X400	1
	Courroie	6A116	1A105	3VU43	6A139	4L280	4L280	3X704	3X546*	1
	Poulie menée	3X795	3X805	3X845	3X791	3X592	3X591	3X609	3X571	1
	Bague menée	—	—	—	—	3X573	3X573	3X576	3X579	1
3	Bâti de moteur	6366510	6366511	6366421	6366509	6366420	6366420	6366513	6366515	1
4	Nécessaire isolement	6366406	6366408	6366406	6366406	6366403	6366403	6366408	6366408	1
5	Coiffe	6366368	6366439	6366447	6366447	6366370	6366370	6366439	6366478	1
6	Turbine	6366464	6366481	6366461	6366462	6366468	6366465	6366481	6366482	1

(*) Deux courroies sont requises pour le modèle 3HFL9.

FRANÇAIS

Tourelles d'extraction à jet descendant centrifuges à courroie de Dayton®

Dépannage

Symptôme	Cause(s) possible(s)	Action corrective
Le tourelle ne fonctionne pas	<ol style="list-style-type: none"> 1. Fusible grillé ou disjoncteur ouvert 2. Moteur défectueux 3. Mauvais câblage 4. Courroie cassée 	<ol style="list-style-type: none"> 1. Changer ou réparer 2. Changer ou réparer 3. COUPER l'alimentation et contrôler le bon raccordement des câbles 4. Remplacer
Débit d'air insuffisant	<ol style="list-style-type: none"> 1. Gaine obstruée ou filtres colmatés 2. Vitesse trop lente 3. Registre fermé 4. Patinage de la courroie 5. Rotation de la turbine incorrecte 6. Portions de gaine mal emboîtées permettant des fuites d'air 	<ol style="list-style-type: none"> 1. Nettoyer ou remplacer 2. Vérifier que le moteur est correct 3. Contrôler/réparer 4. Changer/ajuster la tension 5. Contrôler le câblage du moteur 6. Vérifier que les raccords entre les portions de gaine sont bien serrés (appliquer éventuellement du ruban adhésif en toile sur les joints)
Bruit ou vibration excessifs	<ol style="list-style-type: none"> 1. Courroies trop lâches/tendues 2. Paliers lâches ou défectueux 3. Turbine ou poulies desserrées 4. Accumulation de matières sur la turbine 5. Poulies mal alignées 6. Socle de tourelle pas solidement ancré 7. La coiffe de moteur est lâche et vibre 8. Turbine déséquilibrée 	<ol style="list-style-type: none"> 1. Ajuster la tension 2. Remplacer les roulements 3. Serrer les vis de calage 4. Nettoyer 5. Réaligner 6. Fixer correctement 7. Serrer les écrous borgnes de fixation de la coiffe de moteur 8. Changer la turbine
Surcharge ou surchauffe du moteur	<ol style="list-style-type: none"> 1. Rotation de la turbine trop rapide 2. Bobinage du moteur en court-circuit 3. Rotation de la turbine incorrecte 4. Sur- ou sous-tension secteur 5. Patinage de la courroie 	<ol style="list-style-type: none"> 1. Contrôler le moteur 2. Moteur défectueux 3. Contrôler le câblage du moteur 4. Communiquer avec la compagnie d'électricité 5. Serrer la courroie

GARANTIE LIMITÉE

GARANTIE LIMITÉE DE UN AN DE DAYTON. LES MODÈLES TOURELLES D'EXTRACTION À JET DESCENDANT CENTRIFUGES À COURROIE DE DAYTON®. COUVERTS DANS CE MANUEL SONT GARANTIS À L'UTILISATEUR D'ORIGINE PAR DAYTON ELECTRIC MFG. CO. (DAYTON), CONTRE TOUT DÉFAUT DE FABRICATION OU DE MATÉRIAUX, LORS D'UNE UTILISATION NORMALE, ET CELA PENDANT UN AN APRÈS LA DATE D'ACHAT. TOUTE PIÈCE, DONT LES MATÉRIAUX OU LA MAIN D'ŒUVRE SERONT JUGÉS DÉFECTUEUX, ET QUI SERA RENVOYÉE PORT PAYÉ, À UN CENTRE DE RÉPARATION AUTORISÉ PAR DAYTON, SERA, À TITRE DE SOLUTION EXCLUSIVE, SOIT RÉPARÉE, SOIT REMPLACÉE PAR DAYTON. POUR LE PROCÉDÉ DE RÉCLAMATION SOUS GARANTIE LIMITÉE, REPORTEZ-VOUS À LA CLAUSE DE « DISPOSITION PROMPTE » CI-DESSOUS. CETTE GARANTIE LIMITÉE DONNE AUX ACHETEURS DES DROITS LÉGAUX SPÉCIFIQUES QUI VARIENT DE JURIDICTION À JURIDICTION.

LIMITES DE RESPONSABILITÉ. LA RESPONSABILITÉ DE DAYTON, DANS LES LIMITES PERMISES PAR LA LOI, POUR LES DOMMAGES INDIRECTS OU FORTUITS EST EXPRESSEMENT DÉNIÉE. DANS TOUS LES CAS LA RESPONSABILITÉ DE DAYTON EST LIMITÉE ET NE DÉPASSERA PAS LA VALEUR DU PRIX D'ACHAT PAYÉ.

DÉSISTEMENT DE GARANTIE. DE DILIGENTS EFFORTS SONT FAITS POUR FOURNIR AVEC PRÉCISION LES INFORMATIONS ET ILLUSTRATIONS DES PRODUITS DÉCRITS DANS CETTE BROCHURE ; CEPENDANT, DE TELLES INFORMATIONS ET ILLUSTRATIONS SONT POUR LA SEULE RAISON D'IDENTIFICATION, ET N'IMPLIQUENT NI N'IMPLIQUENT QUE LES PRODUITS SONT COMMERCIALISABLES, OU ADAPTÉS À UN BESOIN PARTICULIER, NI QUE CES PRODUITS SONT NÉCESSAIREMENT CONFORMES AUX ILLUSTRATIONS OU DESCRIPTIONS. SAUF POUR CE QUI SUIT, AUCUNE GARANTIE OU AFFIRMATION DE FAIT, ÉNONCÉE OU IMPLICITE, AUTRE QUE CE QUI EST ÉNONCÉ DANS LA « GARANTIE LIMITÉE » CI-DESSUS N'EST FAITE OU AUTORISÉE PAR DAYTON.

Désistement sur les conseils techniques et les recommandations. Peu importe les pratiques ou négociations antérieures ou les usages commerciaux, les ventes n'incluent pas l'offre de conseils techniques ou d'assistance ou encore de conception de système. Dayton n'a aucune obligation ou responsabilité quant aux recommandations non autorisées, aux opinions et aux suggestions relatives au choix, à l'installation ou à l'utilisation des produits.

Conformité du produit. De nombreuses juridictions ont des codes et règlements qui gouvernent les ventes, constructions, installations et/ou utilisations de produits pour certains usages qui peuvent varier par rapport à ceux d'une zone voisine. Bien que Dayton essaie de s'assurer que ses produits s'accordent avec ces codes, Dayton ne peut garantir cet accord, et ne peut être jugée responsable pour la façon dont le produit est installé ou utilisé. Avant l'achat et l'usage d'un produit, revoir les applications de ce produit, ainsi que tous les codes et règlements nationaux et locaux applicables, et s'assurer que le produit, son installation et son usage sont en accord avec eux.

Certains aspects de désistement ne sont pas applicables aux produits pour consommateur ; ex : (a) certaines juridictions ne permettent pas l'exclusion ou la limitation des dommages indirects ou fortuits et donc la limitation ou exclusion ci-dessus peut ne pas s'appliquer dans le cas présent ; (b) également, certaines juridictions n'autorisent pas de limitations de durée de la garantie implicite, en conséquence, la limitation ci-dessus peut ne pas s'appliquer dans le cas présent ; et (c) par force de loi, pendant la période de cette Garantie Limitée, toutes garanties implicites de commercialité ou d'adaptabilité à un besoin particulier applicables aux produits de consommateurs achetés par des consommateurs, peuvent ne pas être exclues ni autrement désistées.

Disposition prompt. Un effort de bonne foi sera fait pour corriger ou ajuster rapidement tout produit prouvé défectueux pendant la période de la garantie limitée. Pour tout produit considéré défectueux pendant la période de garantie limitée, contacter tout d'abord le concessionnaire ou l'appareil a été acheté. Le concessionnaire doit donner des instructions supplémentaires. S'il est impossible de résoudre le problème de façon satisfaisante, écrire à Dayton à l'adresse ci-dessous, en indiquant le nom et l'adresse du concessionnaire, la date et le numéro de la facture du concessionnaire, et en décrivant la nature du défaut. Le titre et le risque de perte passent à l'acheteur au moment de la livraison par le transporteur. Si le produit a été endommagé pendant le transport, une réclamation doit être faite auprès du transporteur.

Fabriqué pour Dayton Electric Mfg. Co., 5959 W. Howard St., Niles, Illinois 60714-4014 États-Unis

Fabriqué pour Dayton Electric Mfg. Co.
Niles, Illinois 60714 États-Unis

Dayton®