

Centrifugal Direct-Drive Downblast Exhaust Ventilator



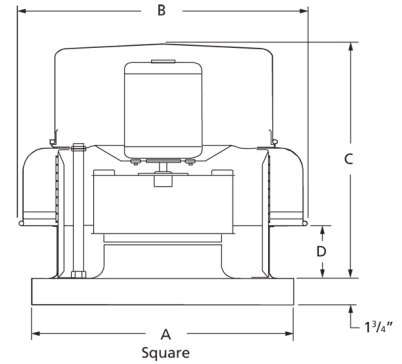
Designed to meet the general clean air exhaust requirements for industrial and commercial buildings. Features a fully rolled windband bead for increased stability and easy transport. Fresh outside air is drawn in under the motor cover to maximize motor life.

- Aluminum backward inclined, nonoverloading centrifugal wheel design
- Maximum inlet air temperature: 130° F
- NEMA 1 junction box located in motor enclosure
- Optional NEMA 1 and 4 disconnects available
- UL/cUL 705 Listed for Power Ventilators

AMCA Sound & Air Dayton Electric Mfg. Co. certifies that the ventilators shown herein are licensed to use the AMCA seal. The ratings shown are based on tests and procedures performed in accordance with AMCA Publication 211 and AMCA Publication 311 and comply with the requirements of the AMCA Certified Ratings Program.

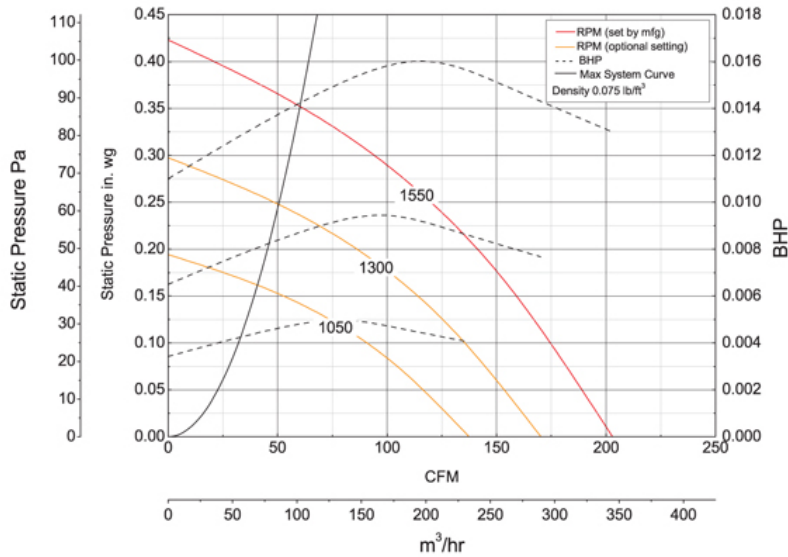


CSA Certified Motor



A	B	C	D
17 in	19 3/8 in	12 1/8 in	3 in

Performance Characteristics



Construction Features

Impeller Diameter (Typ.)	8 1/4 in
Impeller Type	Backward Inclined Centrifugal
Impeller Material	Aluminum
Max Inlet Temp	130 °F
Warranty Length	1 Year

Motor Information

Motor Item Number	53J556
Voltage	115
Hertz (Cycle)	60 Hz
Motor Phase	1
Motor Enclosure	Open Drip Proof
RPM	1,550 rpm, 1,300 rpm, 1,050 rpm
Full Load Amps	

Air & Sound Performance

Motor HP	Max BHP	Fan RPM	CFM @	0.000" SP	0.125" SP	0.250" SP
1/60	0.01	1050	CFM	138	73	—
			Sones	1.7	1.7	—
1/60	0.01	1300	CFM	170	125	—
			Sones	2.9	2.7	—
1/60	0.02	1550	CFM	203	166	120
			Sones	4.3	3.8	3.7

Performance certified is for installation type A: Free inlet, Free outlet. Performance ratings include the effects of a birdscreen in the airstream. The sound ratings shown are loudness values in fan sones at 5 ft. (1.5 m) in a hemispherical free field calculated per AMCA Standard 301. Values shown are for installation type A: Free inlet fan sone levels.