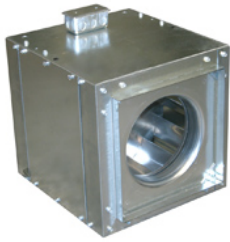


Variable Speed Electronically Commutated (EC) Blower

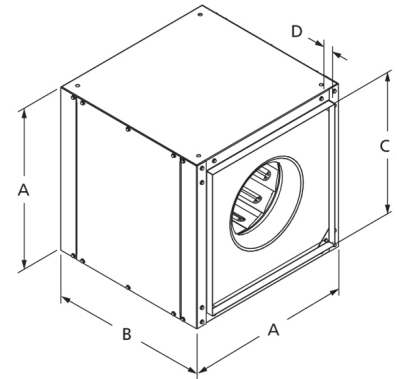


Designed for indoor clean air applications including intake, exhaust, return, or make-up air systems in industrial or commercial buildings. Rugged construction allows fan to be installed in ductwork either horizontally or vertically. Duct collars provide easy duct connections. Energy Saving units feature EC motors which allow up to 80% usable turndown. Motor features potentiometer dial for speed adjustment. Optional Variable-Speed Control Kit (43Y140) can be used to remotely control speed.

- Aluminum backward inclined, nonoverloading centrifugal wheel design
- NEMA 1 junction box included
- Units are speed controllable
- Maximum inlet air temperature: 104° F
- UL/cUL 705 Listed for Power Ventilators
- Reduces overall energy usage and cost

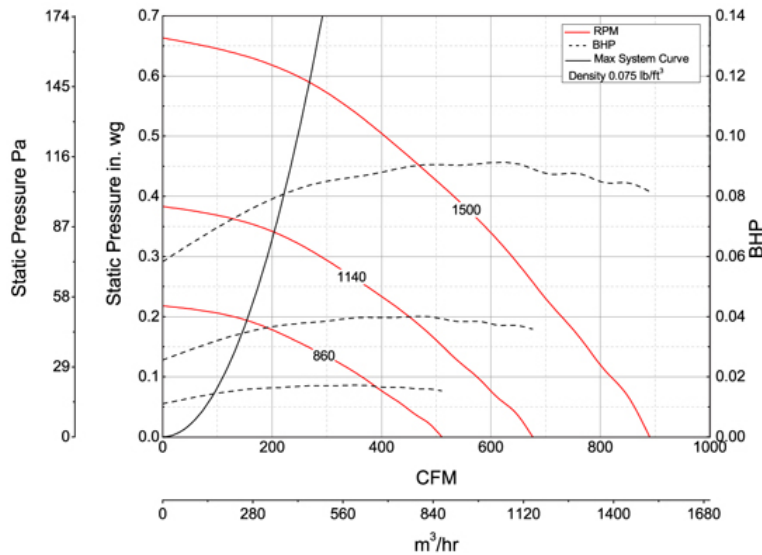


Dayton Electric Mfg. Co. certifies that the blowers shown herein are licensed to bear the AMCA seal. The ratings shown are based on tests and procedures performed in accordance with AMCA Publication 211 and AMCA Publication 311 and comply with the requirements of the AMCA Certified Ratings Program.



| A | B | C | D |
|-------|-------|-----------|------|
| 23 in | 22 in | 19 7/8 in | 1 in |

Performance Characteristics



Construction Features

| | |
|---------------------------------|-------------------------------|
| Impeller Diameter (Typ.) | 14 1/2 in |
| Impeller Type | Backward Inclined Centrifugal |
| Impeller Material | Aluminum |
| Max Inlet Temp | 104 °F |
| Warranty Length | 1 Year |

Motor Information

| | |
|--------------------------|--------|
| Motor Item Number | 43Y138 |
| Voltage | 115 |
| Hertz (Cycle) | 60 Hz |
| Motor Phase | 1 |
| Motor Enclosure | Open |
| RPM | rpm |
| Full Load Amps | 10.6 |

Air & Sound Performance

| Motor HP | Max BHP | Fan RPM | CFM @ | 0.000" SP | 0.125" SP | 0.250" SP | 0.375" SP | 0.500" SP | 0.625" SP | 0.750" SP | 0.875" SP | 1.000" SP | 1.250" SP |
|----------|---------|---------|-------|-----------|-----------|-----------|-----------|-----------|-----------|-----------|-----------|-----------|-----------|
| 3/4 | 0.13 | 860 | CFM | 1637 | 1487 | 1317 | 1033 | — | — | — | — | — | — |
| | | | Sones | 7.0 | 6.2 | 6.2 | 5.9 | — | — | — | — | — | — |
| 3/4 | 0.30 | 1140 | CFM | 2170 | 2061 | 1942 | 1818 | 1666 | 1446 | 1121 | — | — | — |
| | | | Sones | 10.8 | 10.5 | 10.1 | 10.0 | 9.8 | 9.6 | 9.4 | — | — | — |
| 3/4 | 0.75 | 1550 | CFM | 2950 | 2870 | 2790 | 2703 | 2614 | 2524 | 2429 | 2316 | 2188 | 1809 |
| | | | Sones | 16.7 | 16.5 | 16.2 | 15.8 | 15.6 | 15.5 | 15.3 | 15.1 | 14.8 | 14.0 |

Performance certified is for installation type B: Free inlet, Ducted outlet. Performance ratings do not include the effects of appurtenances (accessories). The sound ratings shown are loudness values in fan sones at 5 ft. (1.5 m) in a hemispherical free field calculated per AMCA Standard 301. Values shown are for installation type B: Free inlet hemispherical fan sone levels.