

Centrifugal Belt-Drive In-Line Duct Blower

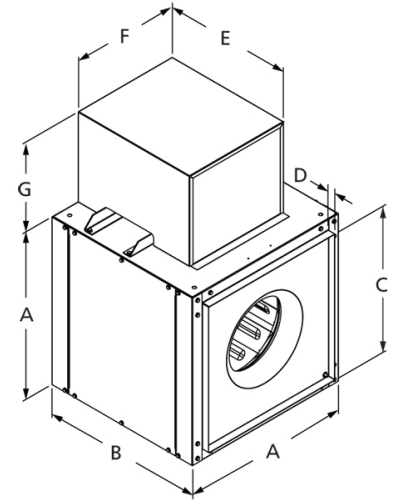


Designed for indoor clean air applications including intake, exhaust, return, or make-up air systems in industrial or commercial buildings. Rugged construction allows fan to be installed in ductwork either horizontally or vertically. Duct collars provide easy duct connections. Access panels are included on each side of the unit.

- Aluminum backward inclined, nonoverloading centrifugal wheel design
- UL/cUL 705 Listed for Power Ventilators
- Maximum inlet air temperature: 160° F
- Bearing and motor cover provide longer service life
- Sealed pillow block bearings

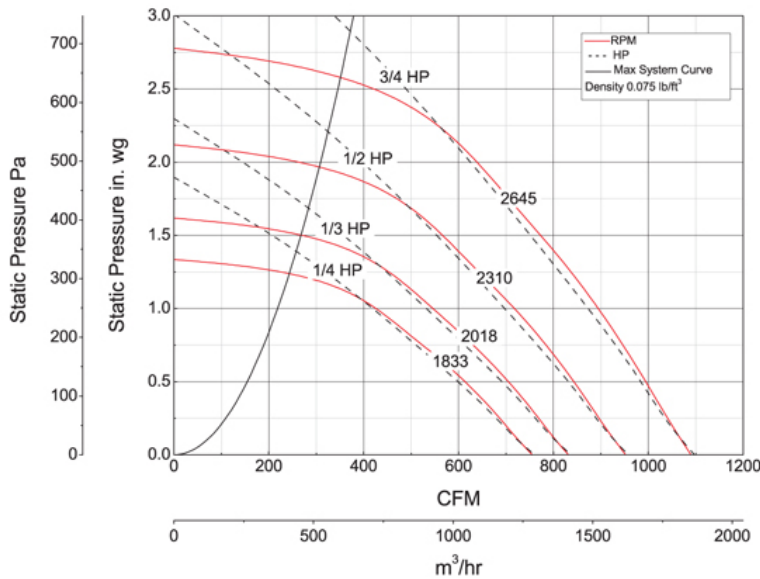


Dayton Electric Mfg. Co. certifies that the blowers shown herein are licensed to bear the AMCA seal. The ratings shown are based on tests and procedures performed in accordance with AMCA Publication 211 and AMCA Publication 311 and comply with the requirements of the AMCA Certified Ratings Program.



A	B	C	D	E	F
15 in	21 in	11 7/8 in	1 in	17 3/8 in	16 in
G					
12 1/2 in					

Performance Characteristics



Construction Features

Impeller Diameter (Typ.)	11 in
Impeller Type	Backward Inclined Centrifugal
Impeller Material	Aluminum
Max Inlet Temp	160 °F
Bearing Type	Sealed Pillow Block
Drive Package Description	Drives By Others
Warranty Length	1 Year

Air & Sound Performance

Motor HP	Max BHP	Fan RPM	CFM @	0.000" SP	0.125" SP	0.250" SP	0.375" SP	0.500" SP	0.625" SP	0.750" SP	0.875" SP	1.000" SP	1.250" SP	1.500" SP	1.750" SP	2.000" SP	2.250" SP	2.500" SP	
1/4	0.26	1833	CFM	756	720	687	650	613	570	524	475	424	—	—	—	—	—	—	
			Sones	17.5	17.2	16.9	16.6	16.3	15.9	15.3	15.0	14.3	—	—	—	—	—	—	—
1/3	0.35	2018	CFM	832	799	769	737	704	669	630	589	545	452	269	—	—	—	—	—
			Sones	19.7	19.6	19.5	19.4	19.2	18.8	18.4	18.1	18.1	16.7	13.5	—	—	—	—	—
1/2	0.52	2310	CFM	952	924	897	870	842	813	784	750	716	643	563	445	—	—	—	—
			Sones	23.0	23.0	23.0	23.0	22.0	23.0	23.0	22.0	21.0	21.0	20.0	19.9	—	—	—	—
3/4	0.79	2645	CFM	1090	1065	1041	1018	995	970	945	920	894	835	773	705	635	535	395	395
			Sones	28.0	28.0	28.0	27.0	27.0	26.0	27.0	28.0	27.0	26.0	25.0	24.0	24.0	24.0	27.0	35.0

Performance certified is for installation type B: Free inlet, Ducted outlet. Power rating (BHP) does not include transmission losses. Performance ratings do not include the effects of appurtenances (accessories). The sound ratings shown are loudness values in fan sones at 5 ft. (1.5 m) in a hemispherical free field calculated per AMCA Standard 301. Values shown are for installation type B: Free inlet hemispherical fan sone levels.