

## Centrifugal Belt-Drive Downblast Exhaust Ventilator



Designed to meet the general clean air exhaust requirements for industrial and commercial buildings. Features a fully rolled windband bead for increased stability and easy transport. Fresh outside air is drawn in under the motor cover to maximize motor life.

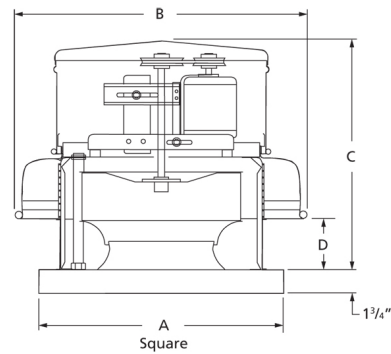
- Aluminum backward inclined, nonoverloading centrifugal wheel design
- Maximum inlet air temperature: 180° F
- NEMA 1 junction box located in motor enclosure
- Optional NEMA 1 and 4 disconnects available
- Sealed pillow block bearings
- UL/cUL 705 Listed for Power Ventilators
- Air handling quality bearings meet minimum of L10-100,000 hours

AMCA Sound & Air



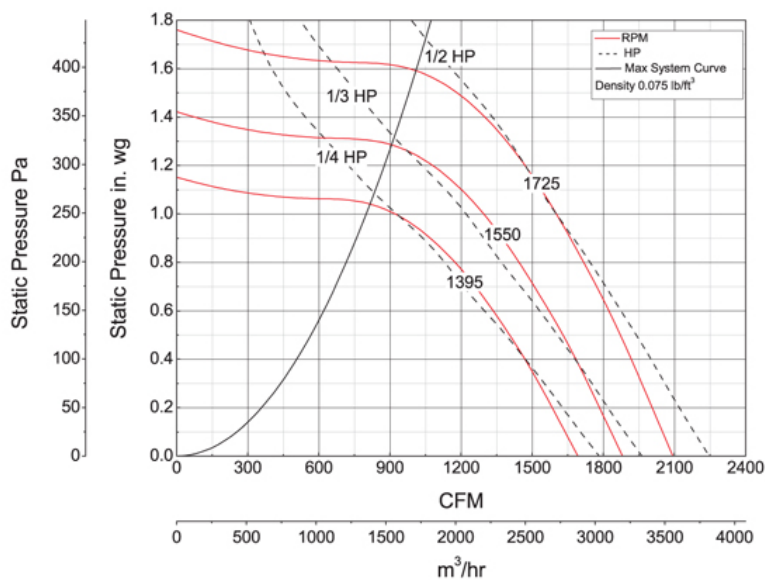
Dayton Electric Mfg. Co. certifies that the ventilators shown herein are licensed to bear the AMCA seal. The ratings shown are based on tests and procedures performed in accordance with AMCA Publication 211 and AMCA Publication 311 and comply with the requirements of the AMCA Certified Ratings Program.

UL/cUL 705



A	B	C	D
22 in	24 3/8 in	24 7/8 in	4 3/8 in

## Performance Characteristics



## Construction Features

<b>Impeller Diameter (Typ.)</b>	13 1/4 in
<b>Impeller Type</b>	Backward Inclined Centrifugal
<b>Impeller Material</b>	Aluminum
<b>Max Inlet Temp</b>	180 °F
<b>Bearing Type</b>	Sealed Pillow Block
<b>Drive Package Description</b>	Drives By Others
<b>Warranty Length</b>	1 Year

## Air & Sound Performance

Motor HP	Max BHP	Fan RPM	CFM @	0.000" SP	0.125" SP	0.250" SP	0.375" SP	0.500" SP	0.625" SP	0.750" SP	0.875" SP	1.000" SP	1.250" SP	1.500" SP
1/4	0.26	1395	CFM	1692	1625	1557	1484	1404	1315	1214	1096	907	—	—
			Sones	12.5	12.4	12.3	12.2	12.0	11.7	11.5	11.4	11.3	—	—
1/3	0.36	1550	CFM	1880	1820	1759	1696	1629	1555	1475	1390	1289	974	—
			Sones	14.6	14.5	14.3	14.2	14.0	13.8	13.5	13.0	12.9	12.4	—
1/2	0.50	1725	CFM	2093	2038	1984	1928	1871	1810	1743	1673	1600	1426	1180
			Sones	17.4	17.2	17.0	16.8	16.7	16.4	16.2	16.0	15.5	14.9	14.0

Performance certified is for installation type A: Free inlet, Free outlet. Power rating (BHP) does not include transmission losses. Performance ratings include the effects of a birdscreen in the airstream. The sound ratings shown are loudness values in fan sones at 5 ft. (1.5 m) in a hemispherical free field calculated per AMCA Standard 301. Values shown are for installation type A: Free inlet hemispherical sone levels.