

Centrifugal Belt-Drive Downblast Exhaust Ventilator

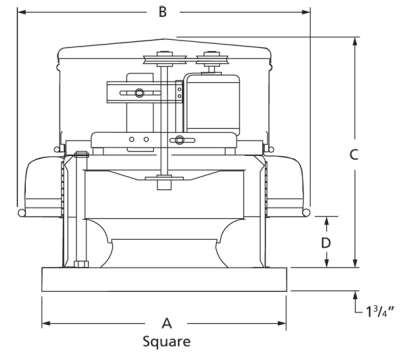


Designed to meet the general clean air exhaust requirements for industrial and commercial buildings. Features a fully rolled windband bead for increased stability and easy transport. Fresh outside air is drawn in under the motor cover to maximize motor life.

- Aluminum backward inclined, nonoverloading centrifugal wheel design
- Maximum inlet air temperature: 180° F
- NEMA 1 junction box located in motor enclosure
- Optional NEMA 1 and 4 disconnects available
- Regreaseable pillow block bearings
- Air handling quality bearings meet minimum of L10-100,000 hours
- UL/cUL 705 Listed for Power Ventilators

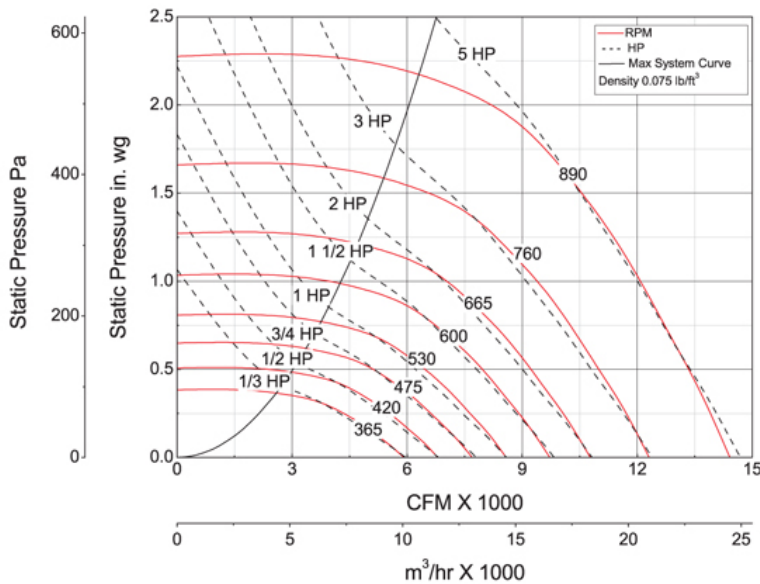


Dayton Electric Mfg. Co. certifies that the ventilators shown herein are licensed to bear the AMCA seal. The ratings shown are based on tests and procedures performed in accordance with AMCA Publication 211 and AMCA Publication 311 and comply with the requirements of the AMCA Certified Ratings Program.



A	B	C	D
42 in	50 in	36 in	8 1/4 in

Performance Characteristics



Construction Features

Impeller Diameter (Typ.)	30 1/2 in
Impeller Type	Backward Inclined Centrifugal
Impeller Material	Aluminum
Max Inlet Temp	180 °F
Bearing Type	Regreaseable Pillow Block
Drive Package Description	Drives By Others
Warranty Length	1 Year

Air & Sound Performance

Motor HP	Max BHP	Fan RPM	CFM @	0.000" SP	0.125" SP	0.250" SP	0.375" SP	0.500" SP	0.625" SP	0.750" SP	0.875" SP	1.000" SP	1.250" SP	1.500" SP	1.750" SP	2.000" SP
1/3	0.35	365	CFM	5912	5222	4340	—	—	—	—	—	—	—	—	—	—
			Sones	9.2	6.2	5.7	—	—	—	—	—	—	—	—	—	—
1/2	0.53	420	CFM	6803	6222	5537	4641	—	—	—	—	—	—	—	—	—
			Sones	9.6	8.0	7.0	6.5	—	—	—	—	—	—	—	—	—
3/4	0.77	475	CFM	7694	7197	6616	5955	5095	—	—	—	—	—	—	—	—
			Sones	11.4	10.6	9.6	8.8	8.1	—	—	—	—	—	—	—	—
1	1.07	530	CFM	8585	8150	7640	7094	6456	5668	4195	—	—	—	—	—	—
			Sones	13.4	12.9	12.2	11.5	10.7	10.0	9.4	—	—	—	—	—	—
1 1/2	1.55	600	CFM	9719	9334	8907	8446	7952	7388	6721	5743	—	—	—	—	—
			Sones	15.9	15.4	14.9	14.3	13.8	13.2	12.2	11.1	—	—	—	—	—
2	2.11	665	CFM	10,772	10,425	10,060	9648	9228	8773	8269	7699	7025	—	—	—	—
			Sones	18.8	18.2	17.7	17.2	16.8	16.3	15.7	14.8	13.7	—	—	—	—
3	3.15	760	CFM	12,311	12,007	11,704	11,357	10,997	10,629	10,242	9836	9369	8293	6437	—	—
			Sones	23.0	22.0	21.0	21.0	21.0	20.0	19.8	19.3	18.6	16.8	14.0	—	—
5	5.09	890	CFM	14,416	14,157	13,898	13,639	13,335	13,028	12,716	12,402	12,073	11,379	10,536	9568	7963
			Sones	28.0	28.0	28.0	27.0	27.0	26.0	26.0	25.0	25.0	24.0	22.0	21.0	18.7

Performance certified is for installation type A: Free inlet, Free outlet. Power rating (BHP) does not include transmission losses. Performance ratings include the effects of a birdscreen in the airstream. The sound ratings shown are loudness values in fan sones at 5 ft. (1.5 m) in a hemispherical free field calculated per AMCA Standard 301. Values shown are for installation type A: Free inlet hemispherical sone levels.