

Centrifugal Belt-Drive Downblast Exhaust Ventilator

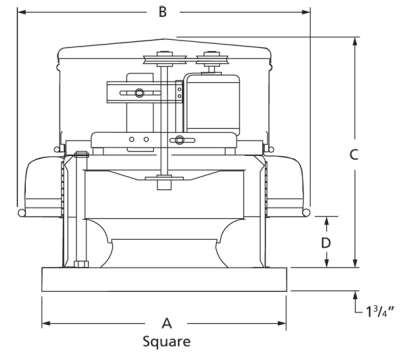


Designed to meet the general clean air exhaust requirements for industrial and commercial buildings. Features a fully rolled windband bead for increased stability and easy transport. Fresh outside air is drawn in under the motor cover to maximize motor life.

- Aluminum backward inclined, nonoverloading centrifugal wheel design
- Maximum inlet air temperature: 180° F
- NEMA 1 junction box located in motor enclosure
- Optional NEMA 1 and 4 disconnects available
- Regreaseable pillow block bearings
- Air handling quality bearings meet minimum of L10-100,000 hours
- UL/cUL 705 Listed for Power Ventilators

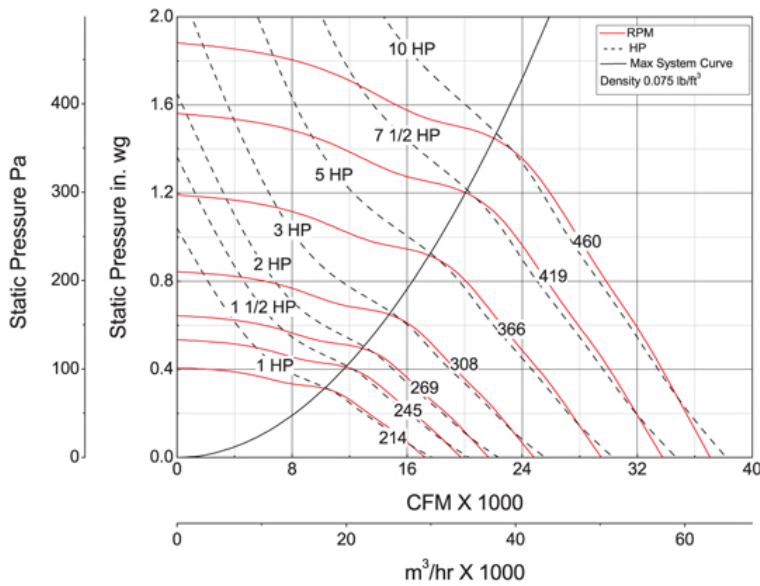


Dayton Electric Mfg. Co. certifies that the ventilators shown herein are licensed to bear the AMCA seal. The ratings shown are based on tests and procedures performed in accordance with AMCA Publication 211 and AMCA Publication 311 and comply with the requirements of the AMCA Certified Ratings Program.



A	B	C	D
64 in	83 in	50 3/4 in	14 1/2 in

Performance Characteristics



Construction Features

Impeller Diameter (Typ.)	50 in
Impeller Type	Backward Inclined Centrifugal
Impeller Material	Aluminum
Max Inlet Temp	180 °F
Bearing Type	Regreaseable Pillow Block
Drive Package Description	Drives By Others
Warranty Length	1 Year

Air & Sound Performance

Motor HP	Max BHP	Fan RPM	CFM @	0.000" SP	0.125" SP	0.250" SP	0.375" SP	0.500" SP	0.625" SP	0.750" SP	0.875" SP	1.000" SP	1.250" SP
1	1.04	214	CFM	17,245	14,939	12,242	—	—	—	—	—	—	—
			Sones	9.7	9.1	8.7	—	—	—	—	—	—	—
1 1/2	1.54	245	CFM	19,743	17,749	15,481	12,983	—	—	—	—	—	—
			Sones	12.2	11.6	11.0	10.7	—	—	—	—	—	—
2	2.08	269	CFM	21,677	19,873	17,857	15,752	—	—	—	—	—	—
			Sones	14.3	13.8	13.2	12.7	—	—	—	—	—	—
3	2.96	308	CFM	24,820	23,263	21,627	19,752	17,903	15,284	—	—	—	—
			Sones	17.9	17.5	16.9	16.2	15.8	15.6	—	—	—	—
5	4.99	366	CFM	29,494	28,188	26,834	25,429	23,831	22,310	20,688	18,366	—	—
			Sones	23.0	22.0	21.0	21.0	20.0	19.8	19.5	19.4	—	—
7 1/2	7.78	419	CFM	33,764	32,624	31,467	30,265	29,015	27,607	26,276	24,940	23,486	—
			Sones	28.0	27.0	27.0	26.0	26.0	25.0	24.0	24.0	23.0	—
10	10.26	460	CFM	37,068	36,030	34,991	33,900	32,805	31,625	30,342	29,127	27,917	25,310
			Sones	32.0	32.0	32.0	32.0	32.0	31.0	30.0	29.0	28.0	27.0

Performance certified is for installation type A: Free inlet, Free outlet. Power rating (BHP) does not include transmission losses. Performance ratings include the effects of a birdscreen in the airstream. The sound ratings shown are loudness values in fan sones at 5 ft. (1.5 m) in a hemispherical free field calculated per AMCA Standard 301. Values shown are for installation type A: Free inlet hemispherical sone levels.