

Centrifugal Belt-Drive In-Line Duct Blower

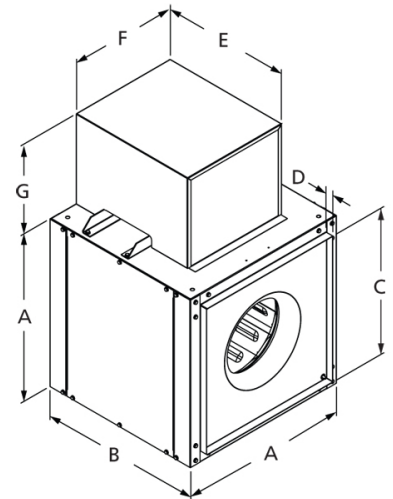


Designed for indoor clean air applications including intake, exhaust, return, or make-up air systems in industrial or commercial buildings. Rugged construction allows fan to be installed in ductwork either horizontally or vertically. Duct collars provide easy duct connections. Access panels are included on each side of the unit.

- Aluminum backward inclined, nonoverloading centrifugal wheel design
- UL/cUL 705 Listed for Power Ventilators
- Maximum inlet air temperature: 160° F
- Bearing and motor cover provide longer service life
- Regreaseable pillow block bearings

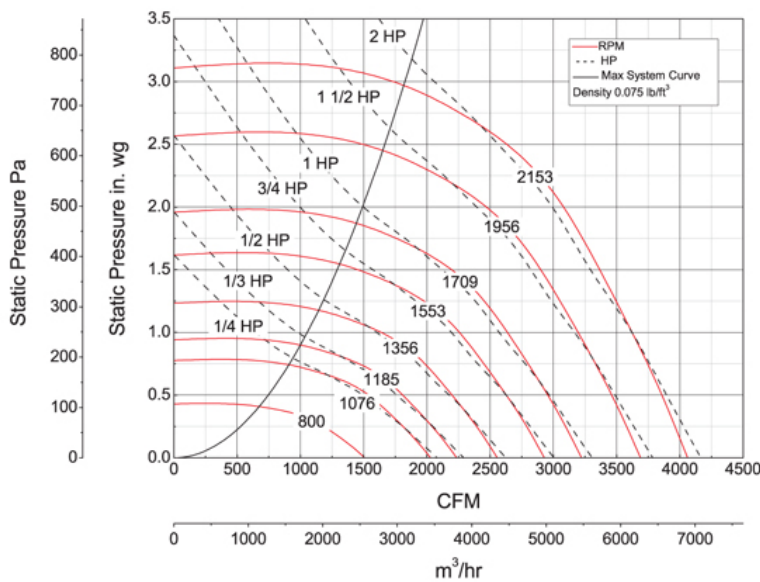


Dayton Electric Mfg. Co. certifies that the blowers shown herein are licensed to bear the AMCA seal. The ratings shown are based on tests and procedures performed in accordance with AMCA Publication 211 and AMCA Publication 311 and comply with the requirements of the AMCA Certified Ratings Program.



A	B	C	D	E	F
23 in	22 in	19 7/8 in	1 in	18 3/5 in	16 in
G					
12 3/8 in					

Performance Characteristics



Construction Features

Impeller Diameter (Typ.)	14 in
Impeller Type	Backward Inclined Centrifugal
Impeller Material	Aluminum
Max Inlet Temp	160 °F
Bearing Type	Regreaseable Pillow Block
Drive Package Description	Drives By Others
Warranty Length	1 Year

Air & Sound Performance

Motor HP	Max BHP	Fan RPM	CFM @	0.000" SP	0.125" SP	0.250" SP	0.375" SP	0.500" SP	0.625" SP	0.750" SP	0.875" SP	1.000" SP	1.250" SP	1.500" SP	1.750" SP	2.000" SP	2.250" SP	2.500" SP	2.750" SP		
1/4	0.11	800	CFM	1509	1362	1185	860	—	—	—	—	—	—	—	—	—	—	—	—	—	
			Sones	5.9	6.3	6.7	5.8	—	—	—	—	—	—	—	—	—	—	—	—	—	—
1/4	0.26	1076	CFM	2029	1927	1810	1681	1538	1311	—	—	—	—	—	—	—	—	—	—	—	—
			Sones	10.8	10.7	10.7	10.8	10.2	8.2	—	—	—	—	—	—	—	—	—	—	—	—
1/3	0.35	1185	CFM	2235	2142	2039	1927	1807	1667	1463	1098	—	—	—	—	—	—	—	—	—	—
			Sones	12.3	12.1	11.9	12.0	12.0	11.6	10.6	9.2	—	—	—	—	—	—	—	—	—	—
1/2	0.52	1356	CFM	2557	2476	2392	2297	2197	2095	1979	1827	1636	—	—	—	—	—	—	—	—	—
			Sones	14.5	14.2	13.9	13.8	13.8	13.8	13.8	13.8	13.8	13.8	—	—	—	—	—	—	—	—
3/4	0.79	1553	CFM	2929	2858	2787	2708	2626	2539	2449	2355	2253	1964	1447	—	—	—	—	—	—	—
			Sones	16.4	16.2	16.0	16.0	16.0	15.8	15.6	15.4	15.3	14.7	13.9	—	—	—	—	—	—	—
1	1.05	1709	CFM	3223	3159	3094	3028	2953	2878	2798	2717	2635	2451	2177	1752	—	—	—	—	—	—
			Sones	18.6	18.2	18.0	17.9	17.9	17.8	17.7	17.4	17.2	16.8	16.1	15.1	—	—	—	—	—	—
1 1/2	1.57	1956	CFM	3689	3633	3576	3520	3461	3395	3330	3264	3193	3050	2894	2705	2457	2089	—	—	—	—
			Sones	25.0	24.0	23.0	24.0	24.0	24.0	24.0	24.0	23.0	23.0	23.0	22.0	21.0	20.0	19.2	—	—	—
2	2.10	2153	CFM	4060	4009	3958	3907	3856	3800	3741	3681	3622	3494	3365	3325	3078	2861	2627	2260	—	—
			Sones	31.0	30.0	30.0	30.0	31.0	32.0	31.0	30.0	30.0	29.0	28.0	28.0	27.0	26.0	25.0	23.0	—	—

Performance certified is for installation type B: Free inlet, Ducted outlet. Power rating (BHP) does not include transmission losses. Performance ratings do not include the effects of appurtenances (accessories). The sound ratings shown are loudness values in fan sones at 5 ft. (1.5 m) in a hemispherical free field calculated per AMCA Standard 301. Values shown are for installation type B: Free inlet hemispherical fan sone levels.