

Centrifugal Belt-Drive In-Line Duct Blower

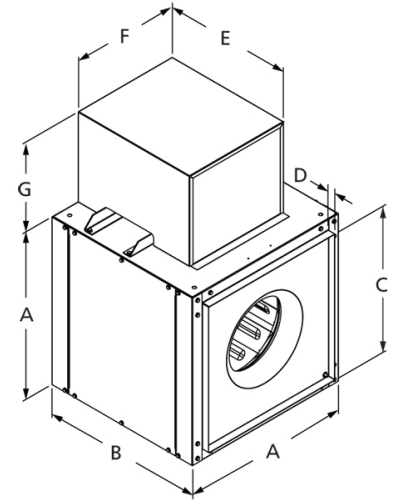


Designed for indoor clean air applications including intake, exhaust, return, or make-up air systems in industrial or commercial buildings. Rugged construction allows fan to be installed in ductwork either horizontally or vertically. Duct collars provide easy duct connections. Access panels are included on each side of the unit.

- Aluminum backward inclined, nonoverloading centrifugal wheel design
- UL/cUL 705 Listed for Power Ventilators
- Maximum inlet air temperature: 160° F
- Bearing and motor cover provide longer service life
- Regreaseable pillow block bearings

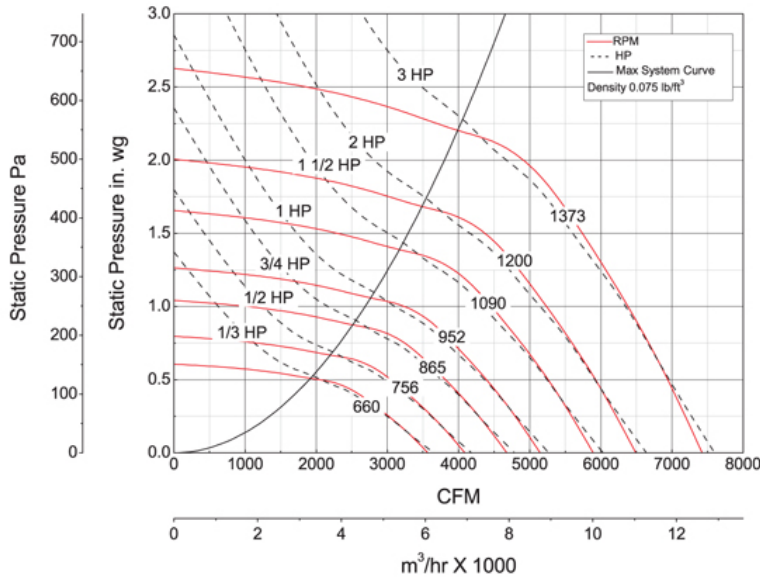


Dayton Electric Mfg. Co. certifies that the blowers shown herein are licensed to bear the AMCA seal. The ratings shown are based on tests and procedures performed in accordance with AMCA Publication 211 and AMCA Publication 311 and comply with the requirements of the AMCA Certified Ratings Program.



A	B	C	D	E	F
32 in	32 in	27 7/8 in	1 1/2 in	25 3/5 in	18 in
G					
13 3/4 in					

Performance Characteristics



Construction Features

Impeller Diameter (Typ.)	20 in
Impeller Type	Backward Inclined Centrifugal
Impeller Material	Aluminum
Max Inlet Temp	160 °F
Bearing Type	Regreaseable Pillow Block
Drive Package Description	Drives By Others
Warranty Length	1 Year

Air & Sound Performance

Motor HP	Max BHP	Fan RPM	CFM @	0.000" SP	0.125" SP	0.250" SP	0.375" SP	0.500" SP	0.625" SP	0.750" SP	0.875" SP	1.000" SP	1.250" SP	1.500" SP	1.750" SP	2.000" SP
1/3	0.34	660	CFM	3569	3315	3018	2670	2042	—	—	—	—	—	—	—	—
			Sones	12.2	11.7	11.2	10.8	10.5	—	—	—	—	—	—	—	—
1/2	0.52	756	CFM	4088	3867	3624	3348	3036	2572	—	—	—	—	—	—	—
			Sones	13.3	12.7	12.0	11.8	11.7	12.0	—	—	—	—	—	—	—
3/4	0.79	865	CFM	4678	4484	4285	4061	3812	3544	3239	2516	—	—	—	—	—
			Sones	14.5	14.1	13.7	13.4	13.1	13.0	13.9	13.9	13.9	—	—	—	—
1	1.04	952	CFM	5148	4972	4796	4598	4391	4159	3916	3646	3203	—	—	—	—
			Sones	16.0	15.7	15.5	15.2	15.1	15.0	14.9	14.9	14.5	14.4	—	—	—
1 1/2	1.57	1090	CFM	5895	5741	5587	5430	5253	5075	4874	4672	4452	3878	—	—	—
			Sones	19.3	19.1	18.9	18.8	18.7	18.6	18.5	18.6	18.7	17.3	—	—	—
2	2.09	1200	CFM	6490	6350	6210	6070	5920	5758	5597	5416	5233	4836	4316	—	—
			Sones	22.0	22.0	22.0	22.0	21.0	21.0	21.0	21.0	21.0	21.0	19.8	—	—
3	3.12	1373	CFM	7425	7303	7181	7059	6936	6806	6665	6524	6383	6063	5738	5363	4839
			Sones	28.0	27.0	27.0	26.0	26.0	26.0	26.0	26.0	26.0	26.0	25.0	25.0	25.0

Performance certified is for installation type B: Free inlet, Ducted outlet. Power rating (BHP) does not include transmission losses. Performance ratings do not include the effects of appurtenances (accessories). The sound ratings shown are loudness values in fan sones at 5 ft. (1.5 m) in a hemispherical free field calculated per AMCA Standard 301. Values shown are for installation type B: Free inlet hemispherical fan sone levels.

Catalog 405, January 2010